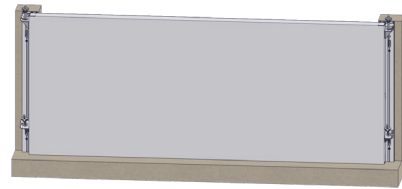


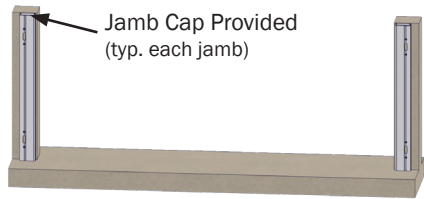
EZDAM XL MEASURING GUIDE & ORDER FORM



1150 S. 48TH STREET, GRAND FORKS, ND 58201
Phone: 701.746.4519 | **Toll Free:** 877.446.1519
Website: psfloodbarriers.com
Email: 4psinfo@psindustries.com

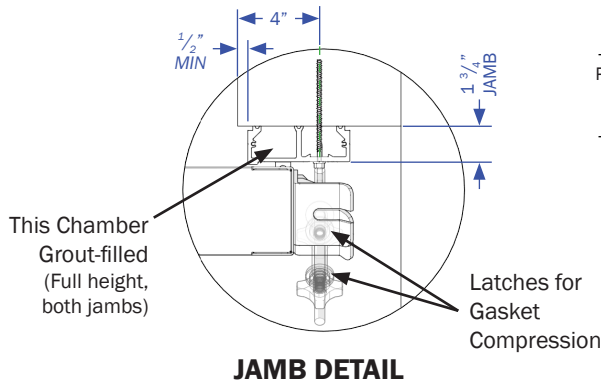


DEFAULT VIEW



Jamb Cap Provided
(typ. each jamb)

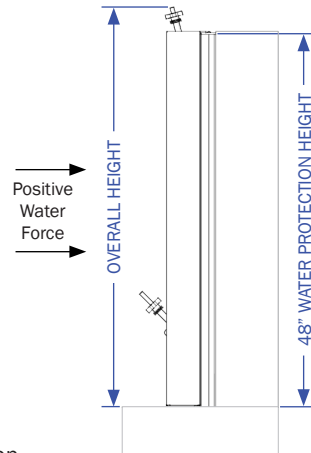
JAMB VIEW



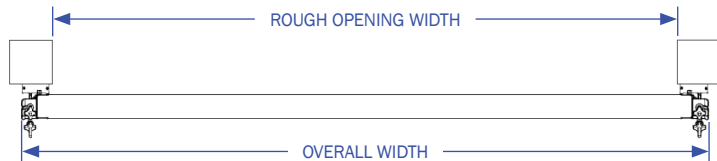
This Chamber
Grout-filled
(Full height,
both jambs)

JAMB DETAIL

Latches for
Gasket
Compression



SIDE VIEW



TOP VIEW

Positive
Water
Force

QUOTATION REQUESTED

EZDAM XL ORDER

SOLD/QUOTE TO:

NAME:

COMPANY:

ADDRESS:

CITY, STATE, ZIP:

PHONE:

FAX:

EMAIL:

PROJECT INFO:

PROJECT NAME:

FIRST OPENING NAME:

QUANTITY:

ROUGH OPENING WIDTH:

(inches)

WATER PROTECTION HEIGHT:

(inches)

SECOND OPENING NAME:

QUANTITY:

ROUGH OPENING WIDTH:

(inches)

WATER PROTECTION HEIGHT:

(inches)

THIRD OPENING NAME:

QUANTITY:

ROUGH OPENING WIDTH:

(inches)

WATER PROTECTION HEIGHT:

(inches)

FOURTH OPENING NAME:

QUANTITY:

ROUGH OPENING WIDTH:

(inches)

WATER PROTECTION HEIGHT:

(inches)

*Min Barrier: Rough Opening Width of 52" and Water Protection Height of 48"

*Max Barrier: Rough Opening Width of 114 1/2" and Water Protection Height of 48".

PANEL/FRAME MATERIAL:

LATCHING LOCATION:

WATER FORCE:

ALUMINUM MILL FINISH
(STANDARD)

WET-SIDE

POSITIVE PRESSURE

MOUNTING SURFACE:

SILL TYPE:

CIP

CMU
(GROUT-FILLED)

STRUCTURAL STEEL

(WALL THICKNESS
IN INCHES)

NO SILL (STANDARD)

EMBEDDED ANGLE (OPTIONAL)

SURFACE MOUNTED

PLATE (OPTIONAL)

STAMPED CALCULATIONS REQUESTED:

YES

STATE

NO

(Registered professional engineer stamped calculations from within the state or territory the building will be constructed or substantially improved.)