

FLEX-GATE® MEASURING GUIDE & ORDER FORM

1150 S. 48TH STREET, GRAND FORKS, ND 58201
Phone: 701.746.4519 | **Toll Free:** 877.446.1519
Website: psfloodbarriers.com
Email: 4psinfo@psindustries.com



FLEX-GATE®

Side Deploy

ORDER

(Page 2)

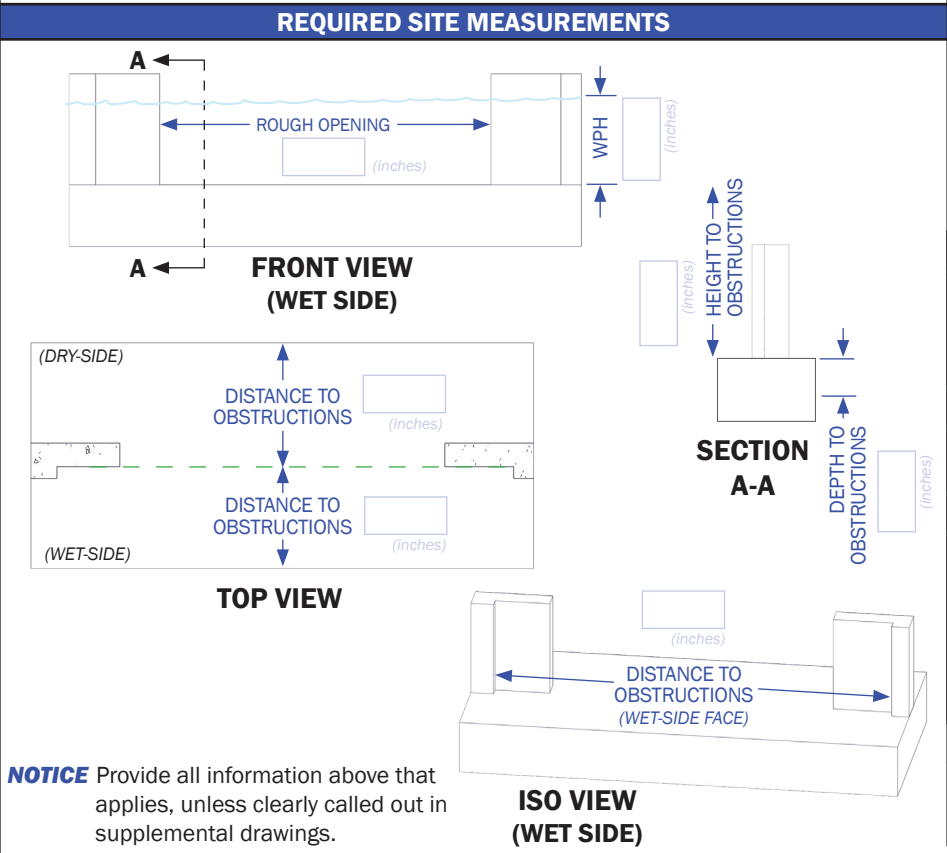
FLEX-GATE®

Bottom Deploy

ORDER

(Page 3)

SOLD/QUOTE TO:		PROJECT INFO:	
NAME:		PROJECT NAME:	OPENING NAME:
COMPANY:		ROUGH OPENING WIDTH: (inches)	WATER PROTECTION HEIGHT: (inches)
ADDRESS:		LOADING REQUIRED:	
CITY, STATE, ZIP:		IMPACT: (LBS) " X "	HYDRODYNAMIC: (FPS) (PSF)
PHONE:	FAX:	(LARGE OPENINGS: Large openings must be engineered by PS Industries Incorporated. Construction Drawings are required for custom designed openings.)	
EMAIL:		WALL MATERIAL*:	GRADE MATERIAL*:



<input type="checkbox"/> CIP <input type="checkbox"/> ARCHITECTURAL BLOCK <input type="checkbox"/> CMU (GROUT-FILLED) <input type="checkbox"/> ASPHALT <input type="checkbox"/> STRUCTURAL STEEL (WALL THICKNESS IN INCHES) <input type="checkbox"/> STEEL <input type="checkbox"/> NEW "OR" <input type="checkbox"/> EXISTING *PROVIDE WALL OBSTRUCTION DETAILS.		<input type="checkbox"/> CONCRETE <input type="checkbox"/> ARCHITECTURAL BLOCK <input type="checkbox"/> NEW "OR" <input type="checkbox"/> EXISTING (THICKNESS IN INCHES) <input type="checkbox"/> OTHER *PROVIDE BELOW GRADE OBSTRUCTION DETAILS.	
JAMB TYPE:	SIDE-DEPLOYED SELECTIONS:	DEPLOY FROM:	
<input type="checkbox"/> FACE MOUNT <input type="checkbox"/> IN-BETWEEN MOUNT	CABINET SIZES: <input type="checkbox"/> STORAGE CABINET (EQUAL SIZE) <input type="checkbox"/> STORAGE CABINET (LARGE) <input type="checkbox"/> RECEIVER CABINET (SMALL)	<input type="checkbox"/> LEFT → <input type="checkbox"/> ← RIGHT <input type="checkbox"/> TRENCH ↑ NO CABINETS	
ADD'L. MOUNTING OPTION:	BTM. -DEPLOY SELECTIONS:	<input type="checkbox"/> TRENCH COVERS <input type="checkbox"/> ANCHOR PLT. COVERS <input type="checkbox"/> NONE	
<input type="checkbox"/> CUSTOM EMBED PLATE (FOR FIELD WELDING)	ANCHOR MATERIAL:	CABINET/COVER PAINT:	
<input type="checkbox"/> 304 STAINLESS STEEL (MILL FINISH) <input type="checkbox"/> 316 STAINLESS STEEL (MILL FINISH) <input type="checkbox"/> CARBON STEEL (MILL FINISH)	SHERWIN-WILLIAMS INDUSTRIAL ENAMEL sherwin-williams.com S/W#: COLOR: <input type="text"/> <input type="checkbox"/> POWDER COAT RAL#: <input type="text"/>	CABINET/COVER MATERIAL: <input type="checkbox"/> 304 STAINLESS STEEL (MILL FINISH) <input type="checkbox"/> 316 STAINLESS STEEL (MILL FINISH) <input type="checkbox"/> MILD STEEL (PAINTED) <input type="checkbox"/> ALUMINUM (MILL FINISH)	
STAMPED CALCULATIONS REQUESTED:			
<input type="checkbox"/> YES <input type="checkbox"/> STATE <input type="checkbox"/> NO		(Registered professional engineer stamped calculations from within the state or territory the building will be constructed or substantially improved.)	

FLEX-GATE® MEASURING GUIDE & ORDER FORM

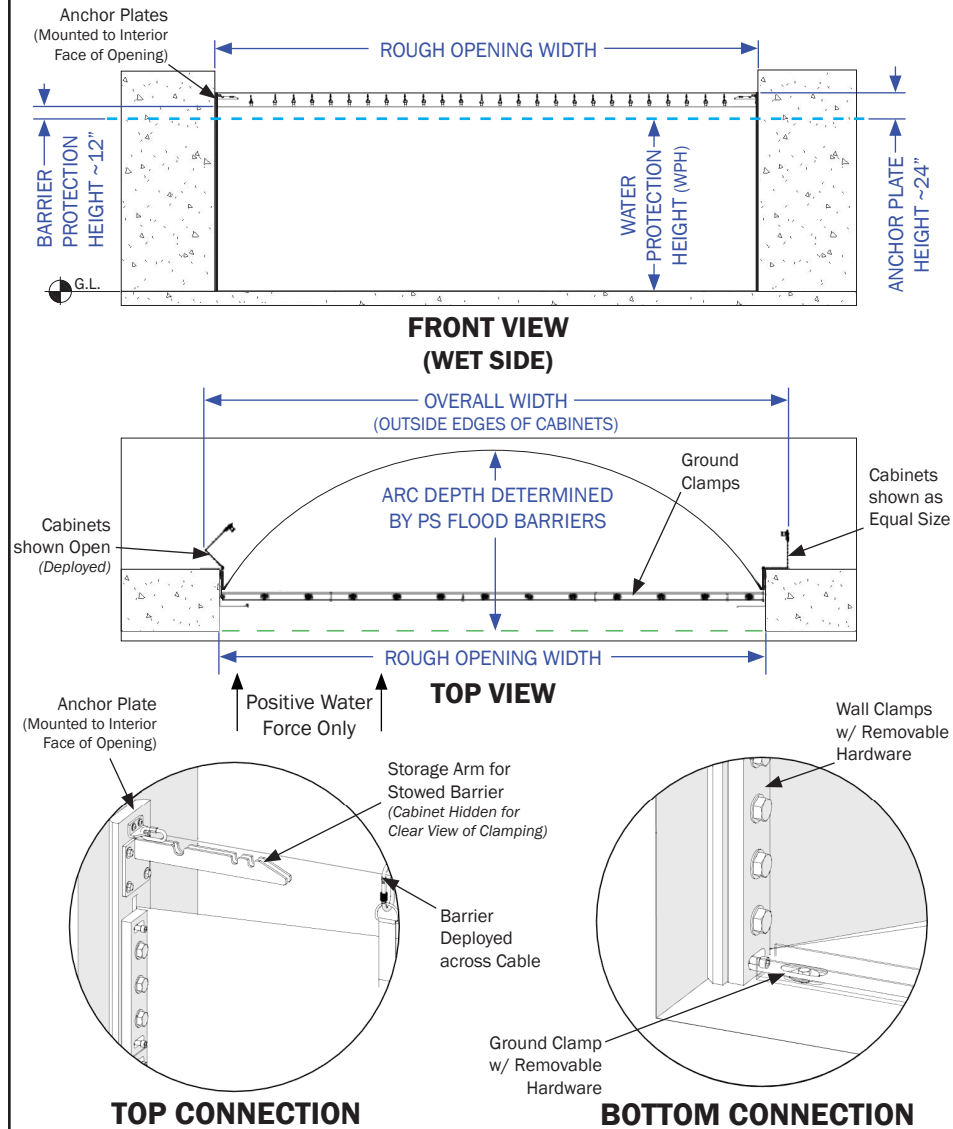
FLEX-GATE®

Side Deploy

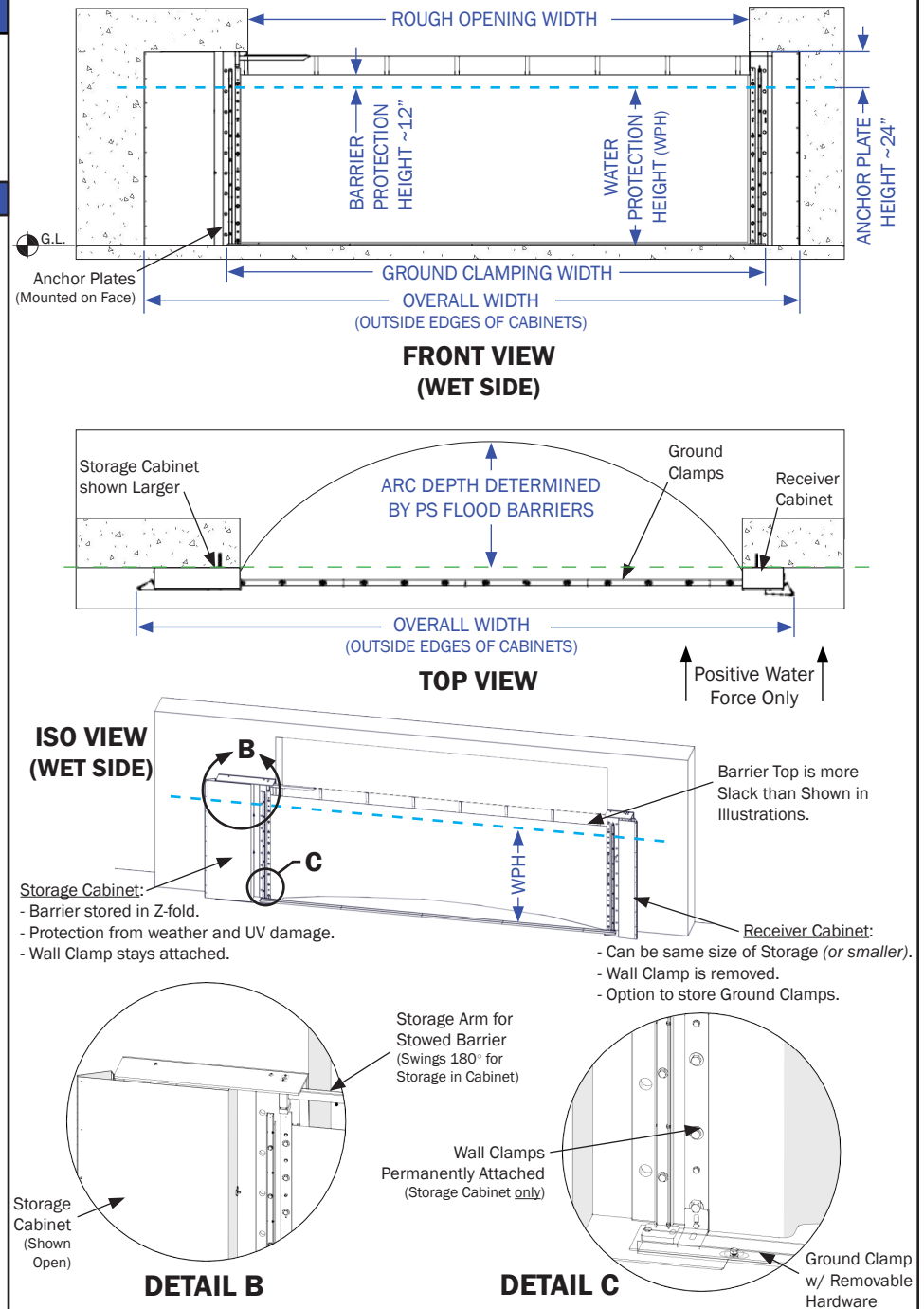
1150 S. 48TH STREET, GRAND FORKS, ND 58201
 Phone: 701.746.4519 | Toll Free: 877.446.1519
 Website: psfloodbarriers.com
 Email: 4psinfo@psindustries.com

(see page 3 for Bottom Deployed product variation)

IN-BETWEEN MOUNT (SIDE DEPLOYED)



FACE MOUNT (SIDE DEPLOYED)



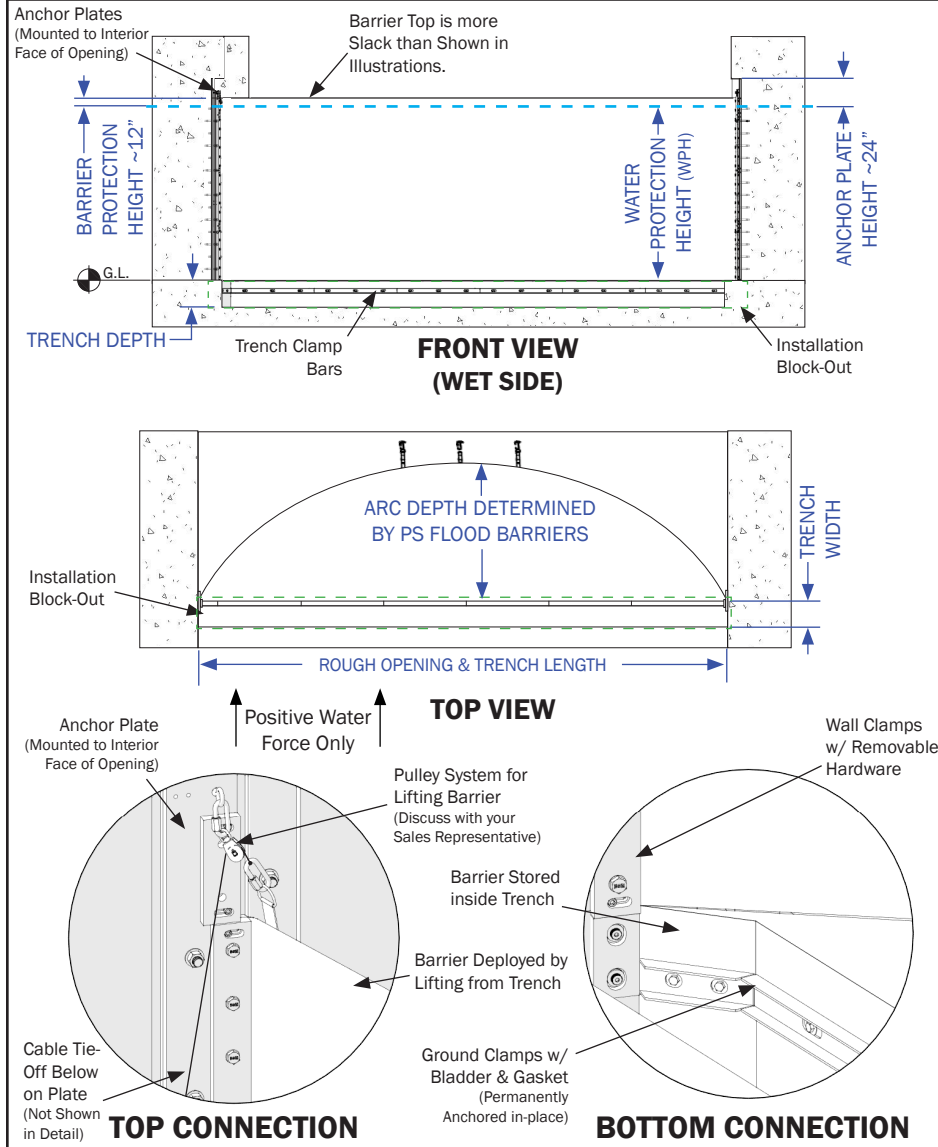
FLEX-GATE® MEASURING GUIDE & ORDER FORM

FLEX-GATE®
Bottom Deploy

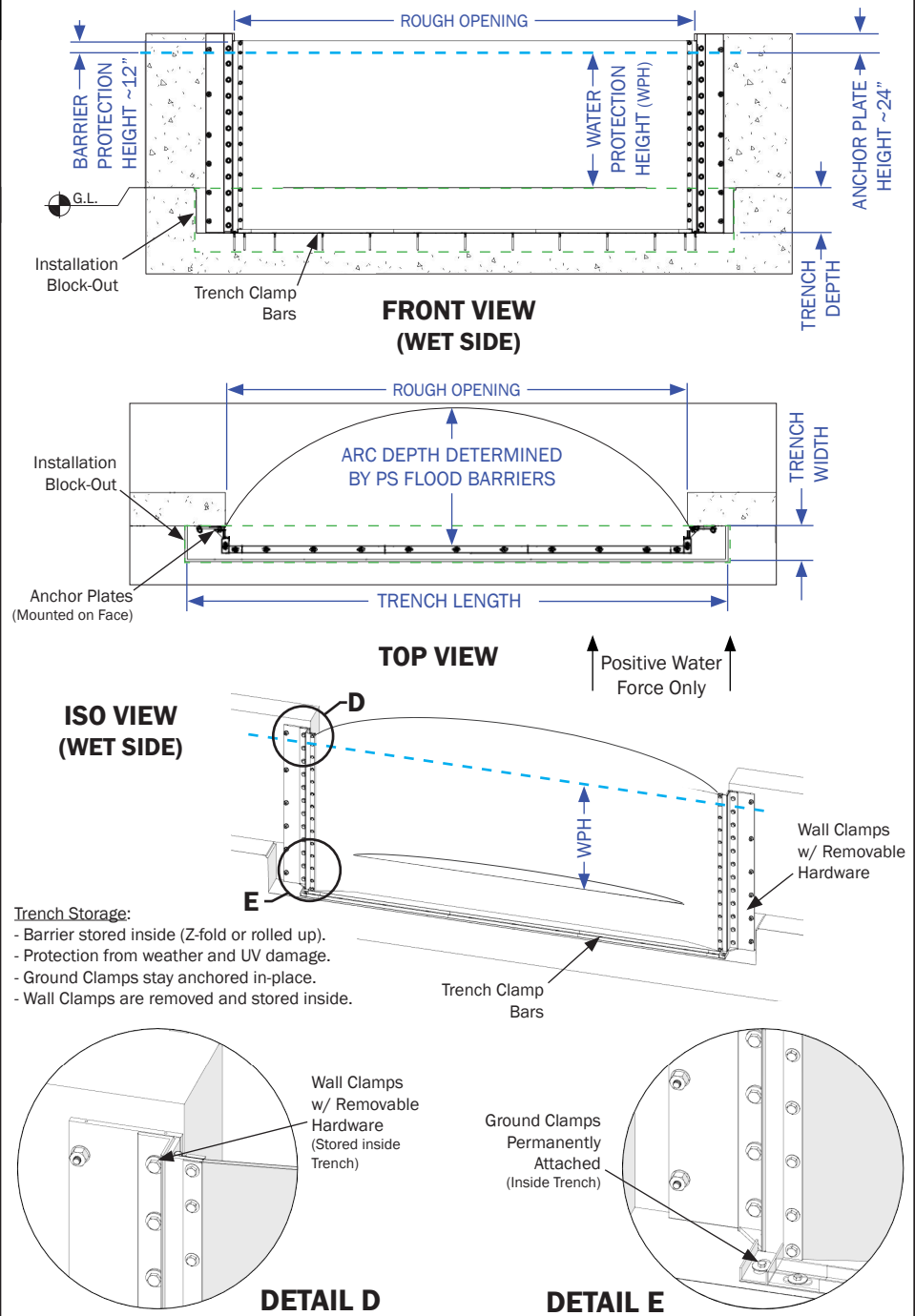
1150 S. 48TH STREET, GRAND FORKS, ND 58201
Phone: 701.746.4519 | **Toll Free:** 877.446.1519
Website: psfloodbarriers.com
Email: 4psinfo@psindustries.com

(see page 2 for Side Deployed product variation)

IN-BETWEEN MOUNT (BOTTOM DEPLOYED)



FACE MOUNT (BOTTOM DEPLOYED)

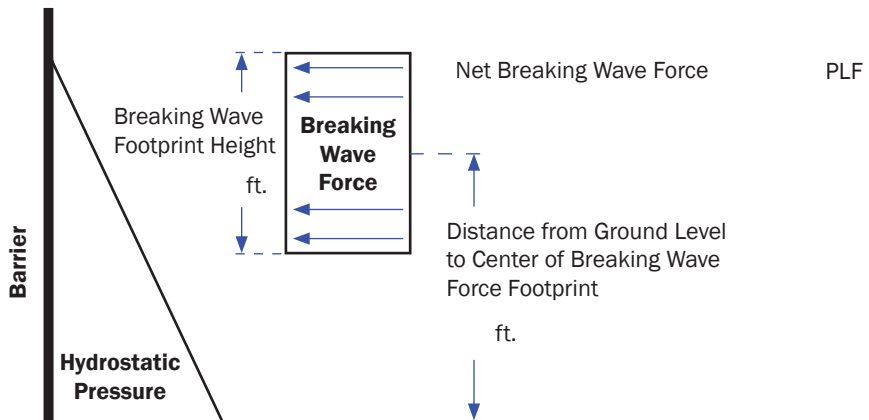
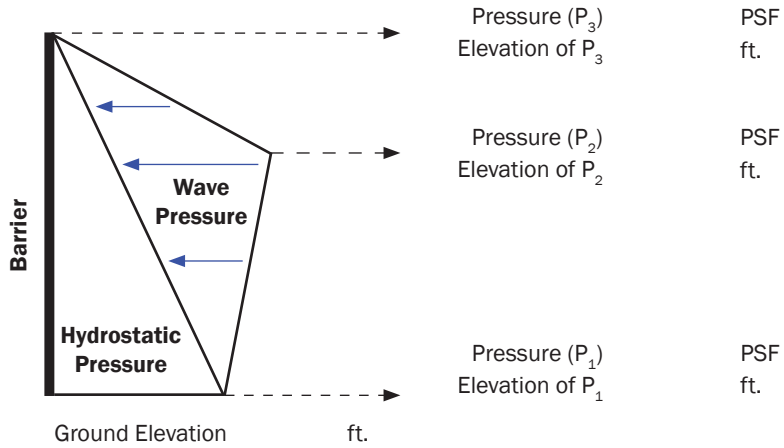


LOADING FORM



1150 S. 48TH STREET, GRAND FORKS, ND 58201
Phone: 701.746.4519 | **Toll Free:** 877.446.1519
Website: psfloodbarriers.com
Email: 4psinfo@psindustries.com

WAVE LOAD DIAGRAMS



*ASCE 7-10/16, Section 5.4.4.2 & Figure 5.4-1

NOTICE PROVIDE ALL INFORMATION BELOW THAT APPLIES, UNLESS CLEARLY CALLED OUT IN SUPPLEMENTAL DRAWINGS.

LOAD INFO:	
FLOOD LOAD REGULATION:	
ADDITIONAL LOAD CODE(S):	
HYDROSTATIC LOAD: YES	
PRESSURE:	
WATER PROTECTION HEIGHT (WPH): (inches)	UNIT WEIGHT OF FLUID: (PSF)
IS FLUID HEIGHT PRORATED TO INCLUDE OTHER LOADING?:	
EXPLAIN:	
HYDRODYNAMIC LOADS: YES NO	
HYDRODYNAMIC PRESSURE: (PSF)	
DRAG COEFFICIENT:	VELOCITY OF WATER: (ft/s)
IMPACT LOADS: YES NO	
IMPACT FORCE: (lbs)	IMPACT FOOTPRINT WIDTH: (inches)
ELEVATION OF IMPACT: (ft)	IMPACT FOOTPRINT HEIGHT: (inches)
DEBRIS WEIGHT: (lbs)	VELOCITY OF OBJECT: (ft/s)
ACCELERATION DUE TO GRAVITY: (ft/s)	IMPACT DURATION: (ft/s)
IMPORTANCE COEFFICIENT:	ORIENTATION COEFFICIENT:
DEPTH COEFFICIENT:	BLOCKAGE COEFFICIENT:
MAX RESPONSE RATIO FOR IMPULSIVE LOAD:	
WIND LOADS: YES NO	
WIND LOAD REGULATIONS:	
WIND PRESSURE: (PSF)	WIND SPEED: (mph)
FAN PRESSURE: YES NO	
FAN PRESSURE: (PSF)	
WAVE LOADS: YES NO	
BASE FLOOD ELEVATION: (ft)	GROUND ELEVATION: (ft)
DYNAMIC PRESSURE COEFFICIENT:	ANGLE OF OBLIQUE WAVE: (°)
NET BREAKING WAVE FORCE: (PLF)	LOCAL STILL WATER DEPTH: (ft)
MAXIMUM COMBINED STATIC AND DYNAMIC PRESSURES: (PSF)	