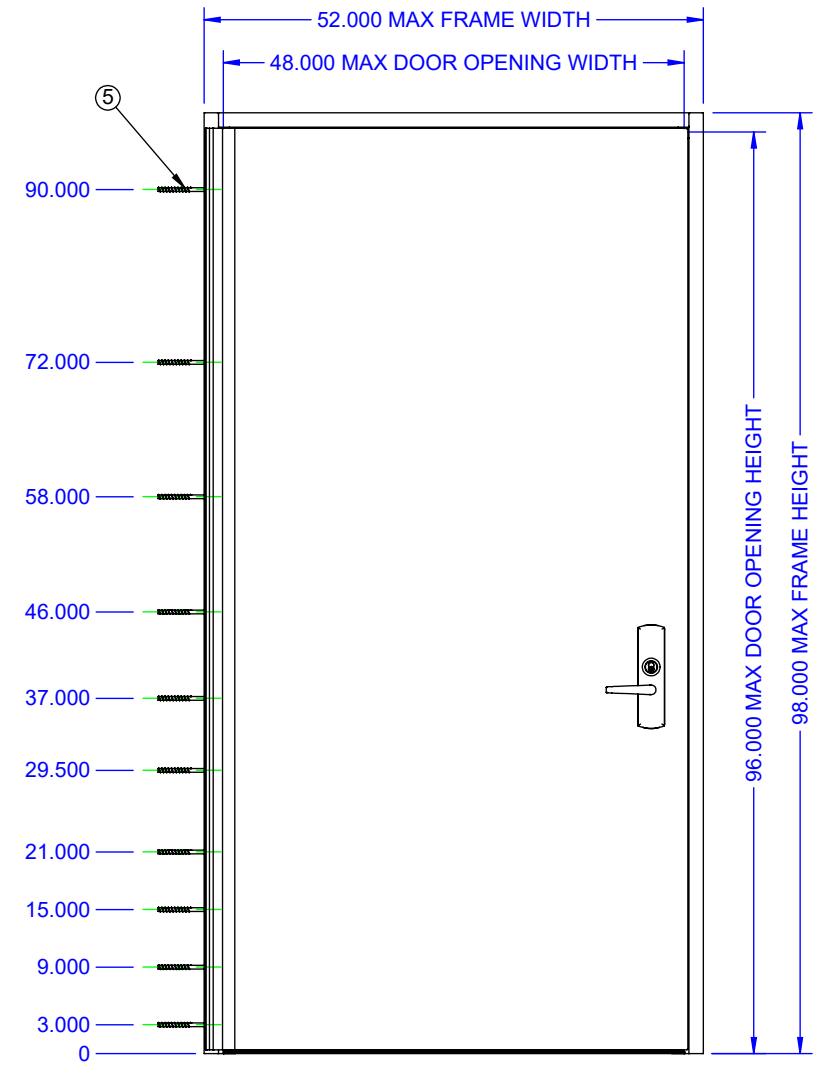
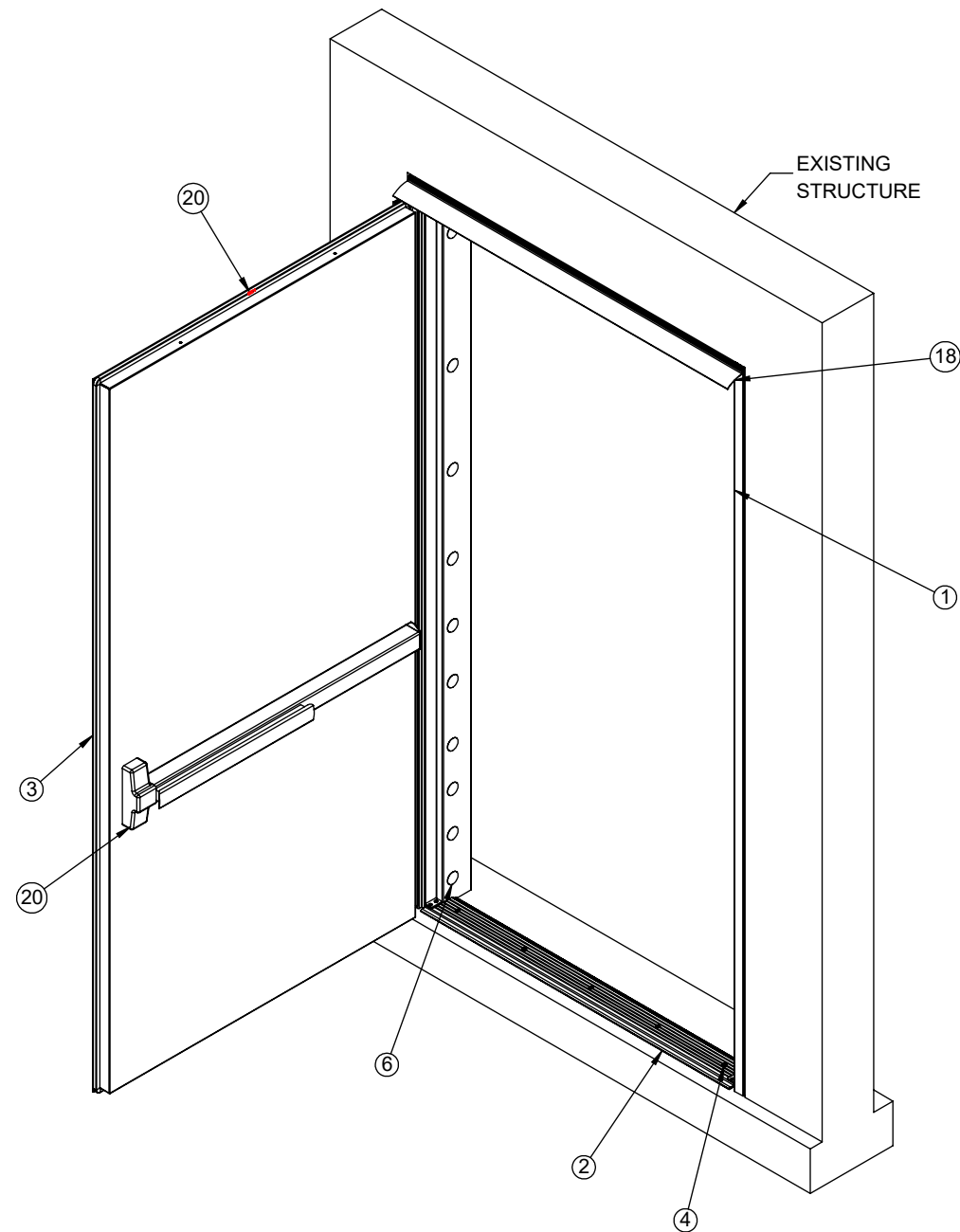


DESIGN PRESSURE RATING		
	WHERE WATER INFILTRATION REQUIREMENT IS NEEDED	WHERE WATER INFILTRATION REQUIREMENT IS NOT NEEDED
POSITIVE	+ 65 PSF	+ 65 PSF
NEGATIVE	- 65 PSF	- 65 PSF

B.O.M. IS FOR QTY - 1			
ITEM NO.	DESCRIPTION	Qty	U/M
1	H1;FRAME ASM-MS	1	EA
2	H1;THRESHOLD ASM	1	EA
3	H1;PANEL ASM	1	EA
4	ANCHOR;ULTRACON 1/4X1-3/4 SS	5	EA
5	ANCHOR;SCREW KH-EZ 3/8" X 5"	20	EA
6	PLUG HOLE 1-3/8" DIA	20	EA
7	PLUG HOLE 1" DIA	2	EA
8	SCREW;FLPHMACHUC12-24X1/2SS	14	EA
9	LOCK;VONDUP LEVER ASM / R-LHR	1	EA
10	EXIT TRIM GASKET 98/99 SERIES	1	EA
11	LOCK; BEST CYLINDER ASSEMBLY	1	EA
12	SEALANT SWELL PASTE TYPEE 10OZ	1	EA
13	SEALANT; POLYURETHANE, GRAY	3	EA
14	WS; FOAM BACKER ROD 3/8"	1	EA
15	H1;STRIKE SET GAUGE	1	EA
16	H1;THRESHOLD SET GAUGE	1	EA
17	H1;THRESHOLD SHIM	10	EA
18	WS;RAINDRIP WX AL	1	EA
19	H1;SL21 HINGE	1	EA
20	LOCK;VONDUP EXIT FIRE 4FT 98/28	1	EA



3/8" MIN. JAMB ANCHORS
STANDARD ANCHOR ELEVATIONS
FINAL ELEVATIONS, SIZE, AND TYPE
SUBJECT TO ENGINEERING REVIEW

USE SEALANT TO SEAL AROUND PERIMETER OF FRAME AND UNDER AND AROUND THRESHOLD. PANEL GASKET SPLICE AND HARDWARE CHAMBER FACTORY SEALED.

SWELL PASTE BETWEEN FRAME AND OPENING.

GASKET 514871 USED TO SEAL PERIMETER OF DOOR PANEL. GASKET 512386 USED TO SEAL EXTERIOR HARDWARE.

JAMBS TO BE GROUTED FULL HEIGHT USING NON-METALLIC, NON-SHRINK TYPE, CAPABLE OF DEVELOPING 3000 PSI COMPRESSIVE STRENGTH AS PLACED.

C:\PS DOORS\RD\RD1146 FLORIDA BUILDING CODE TEST\11460011146001A-R&D SINGLEH1 INSTALL-1146001 - 8/31/2021

PROPRIETARY AND CONFIDENTIAL DRAWINGS ARE EXCLUSIVE PROPERTY OF PS INDUSTRIES INCORPORATED AND CANNOT BE USED IN WHOLE OR PART WITHOUT WRITTEN CONSENT © 2021 PS INDUSTRIES INCORPORATED ALL RIGHTS RESERVED

FINISH:

PRODUCT DESCRIPTION: HYDRO1-PD520: Pedestrian Flood Door, HYDRO1-PD522: Fire Rated Pedestrian Flood Door		PART #: HYDRO1-PD520 & HYDRO1-PD522	
WO:	SHIP TO:	DWG STATUS:	INSTALLATION INSTRUCTIONS UNLESS OTHERWISE SPECIFIED LINEAR ± .030" (1/32") HOLE/CUTOUT ± .015" (1/64") SQUARENESS ± .060" (1/16") ANGULAR ± .5°
SN:	SOLD TO:	ESTIMATED WEIGHT: 412 LBS.	
CHECKED: /	PROJECT NAME:	DWG # H1 INSTALL-1146001	
	SO #:	DWG BY: nueland	

DATE: 8/31/2021
SCALE: NTS
SHEET # 1 OF 1
REV: A

1150 48th St. S
GRAND FORKS, ND 58201
PH. 701-746-4519
FAX 701-746-8340