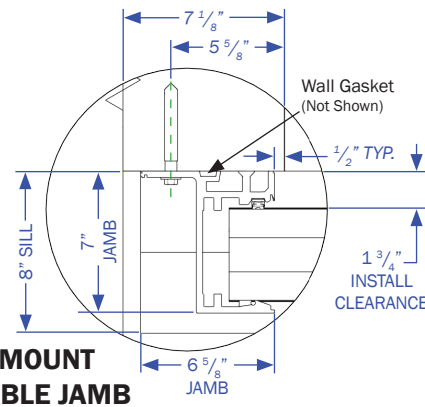
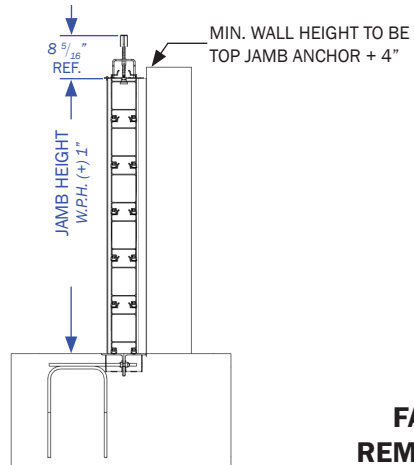
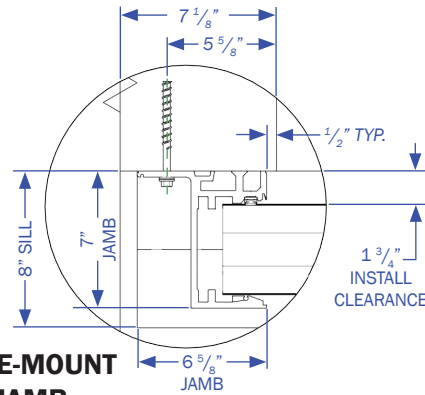
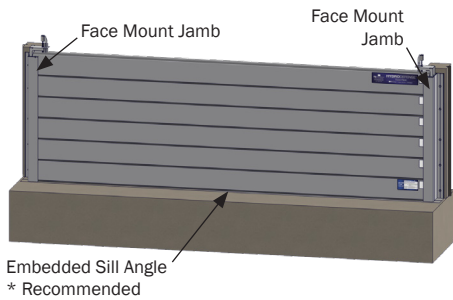


# FP-535 MEASURING GUIDE & ORDER FORM

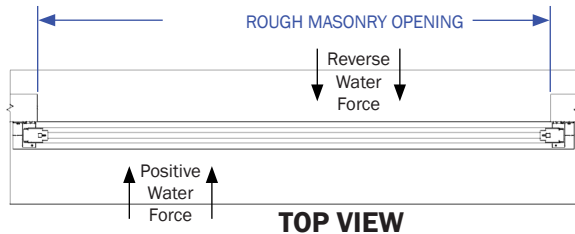


1150 S. 48<sup>TH</sup> STREET, GRAND FORKS, ND 58201  
**Phone:** 701.746.4519 | **Toll Free:** 877.446.1519  
**Website:** psfloodbarriers.com  
**Email:** 4psinfo@psindustries.com



**SIDE VIEW**

**FACE-MOUNT REMOVABLE JAMB**



**SOLD/QUOTE TO:**

NAME: \_\_\_\_\_

COMPANY: \_\_\_\_\_

ADDRESS: \_\_\_\_\_

CITY, STATE, ZIP: \_\_\_\_\_

PHONE: \_\_\_\_\_ FAX: \_\_\_\_\_

EMAIL: \_\_\_\_\_

**PROJECT INFO:**

PROJECT NAME: \_\_\_\_\_

OPENING NAME: \_\_\_\_\_ QUANTITY: \_\_\_\_\_

ROUGH OPENING WIDTH: \_\_\_\_\_ (inches) WATER PROTECTION HEIGHT: \_\_\_\_\_ (inches)

(LARGE OPENINGS: For large openings with loading the number of spans/supports must be engineered by PS Industries Incorporated. Construction Drawings are required for custom designed openings.)

MOUNTING SURFACE:	LEFT JAMB TYPE:	RIGHT JAMB TYPE:
CIP	PERMANENT	PERMANENT
CMU (WALL THICKNESS IN INCHES) (GROUT-FILLED)	REMOVABLE	REMOVABLE
STRUCTURAL STEEL		
MULLION TYPE:	MULLION EMBED TYPE:	JAMB FINISH:
POST	EMBEDDED RECEIVER (STANDARD)	ALUMINUM MILL FINISH (STANDARD)
A-FRAME	POST-INSTALLED	POWDER COAT (COLOR)
CORNER	THREADED INSERTS	
SILL TYPE:	SILL MATERIAL:	MISC HARDWARE:
EMBEDDED ANGLE (STANDARD)	HOT-DIPPED GALV.	LOCKABLE JAMB COVERS
SURFACE MOUNTED PLATE	304 STAINLESS STEEL	JAMB EXTENSIONS
NO SILL		

**STAMPED CALCULATIONS REQUESTED:**

YES STATE NO

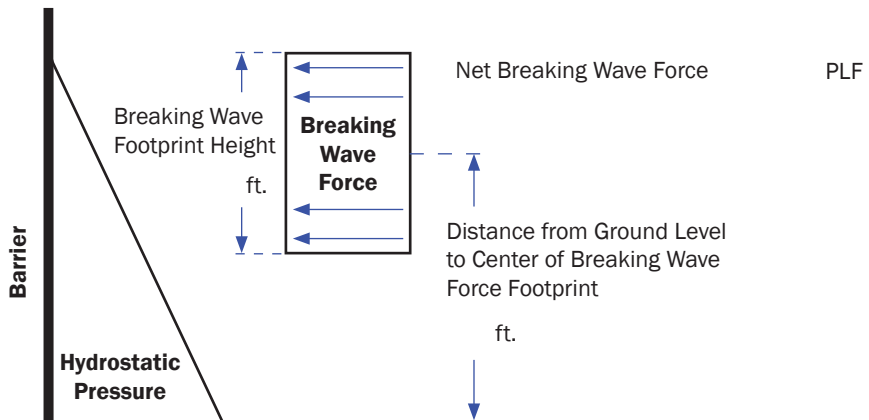
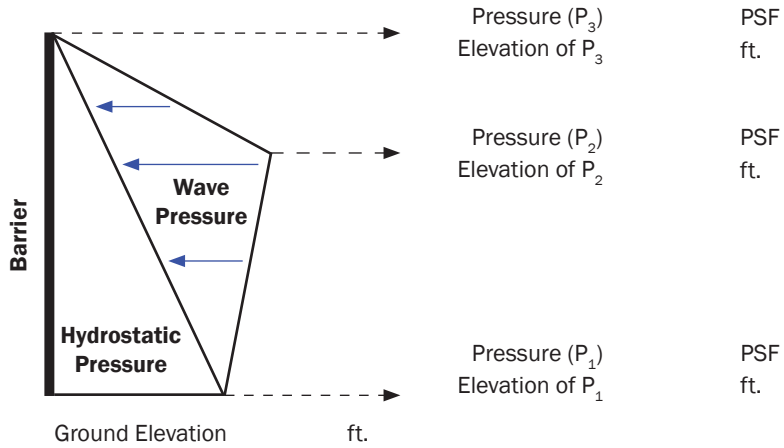
(Registered professional engineer stamped calculations from within the state or territory the building will be constructed or substantially improved.)

# LOADING FORM



1150 S. 48<sup>TH</sup> STREET, GRAND FORKS, ND 58201  
**Phone:** 701.746.4519 | **Toll Free:** 877.446.1519  
**Website:** psfloodbarriers.com  
**Email:** 4psinfo@psindustries.com

## WAVE LOAD DIAGRAMS



\*ASCE 7-10/16, Section 5.4.4.2 & Figure 5.4-1

### LOAD INFO:

FLOOD LOAD REGULATION:

ADDITIONAL LOAD CODE(S):

**HYDROSTATIC LOAD:** YES

PRESSURE:

WATER PROTECTION HEIGHT (WPH): (inches) UNIT WEIGHT OF FLUID: (PSF)

IS FLUID HEIGHT PRORATED TO INCLUDE OTHER LOADING?:

EXPLAIN:

**HYDRODYNAMIC LOADS:** YES NO

HYDRODYNAMIC PRESSURE: (PSF)

DRAG COEFFICIENT: VELOCITY OF WATER: (ft/s)

**IMPACT LOADS:** YES NO

IMPACT FORCE: (lbs) IMPACT FOOTPRINT WIDTH: (inches)

ELEVATION OF IMPACT: (ft) IMPACT FOOTPRINT HEIGHT: (inches)

DEBRIS WEIGHT: (lbs) VELOCITY OF OBJECT: (ft/s)

ACCELERATION DUE TO GRAVITY: (ft/s) IMPACT DURATION: (ft/s)

IMPORTANCE COEFFICIENT: ORIENTATION COEFFICIENT:

DEPTH COEFFICIENT: BLOCKAGE COEFFICIENT:

MAX RESPONSE RATIO FOR IMPULSIVE LOAD:

**WIND LOADS:** YES NO

WIND LOAD REGULATIONS:

WIND PRESSURE: (PSF) WIND SPEED: (mph)

**FAN PRESSURE:** YES NO

FAN PRESSURE: (PSF)

**WAVE LOADS:** YES NO

BASE FLOOD ELEVATION: (ft) GROUND ELEVATION: (ft)

DYNAMIC PRESSURE COEFFICIENT: ANGLE OF OBLIQUE WAVE: (°)

NET BREAKING WAVE FORCE: (PLF) LOCAL STILL WATER DEPTH: (ft)

MAXIMUM COMBINED STATIC AND DYNAMIC PRESSURES: (PSF)

**NOTICE** Provide all information above that applies, unless clearly called out in supplemental drawings.