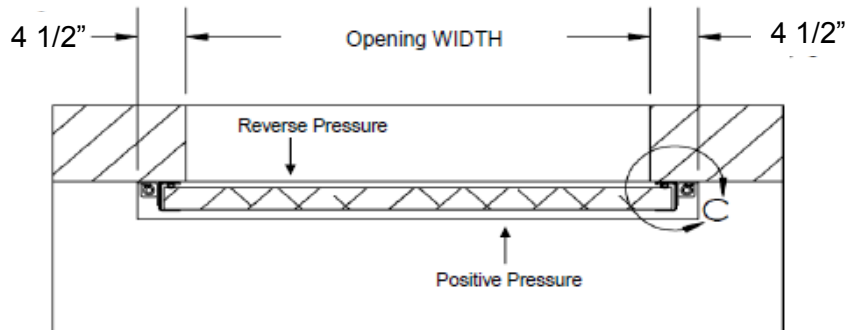
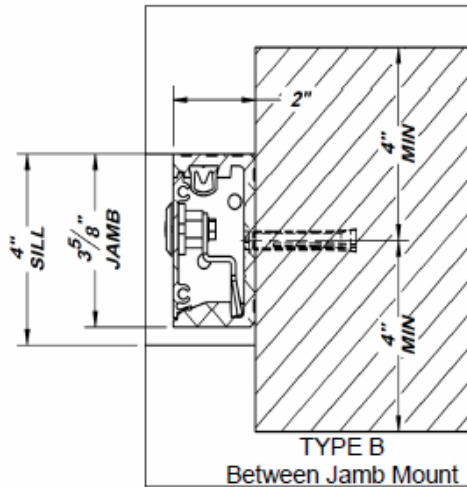
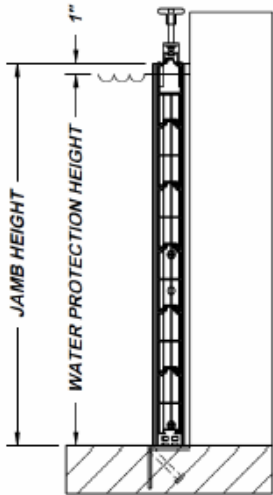
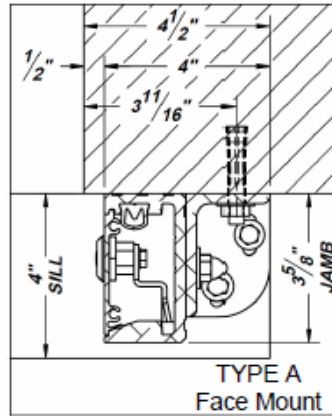
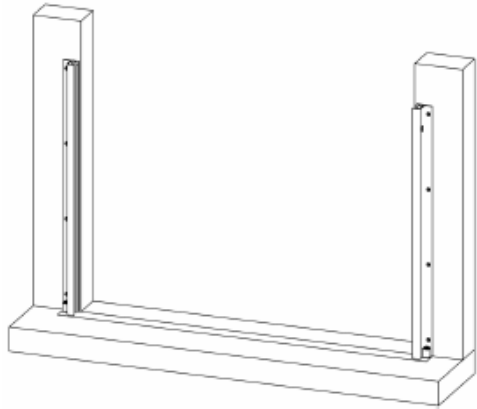


FP-530 MEASURING GUIDE



1150 S. 48TH STREET, GRAND FORKS, ND 58201
 PHONE: 701.746.4519 | TOLL FREE: 877.446.1519
 FAX: 701.746.8340 | WWW.PSINDUSTRIES.COM



QUOTE TO:

Name:	E-Mail	
Company:	Phone:	
Address:		
City:	State:	ZIP:

PROJECT NAME:

QUANTITY:

DIMENSIONS: (All Measurements in Inches)

RMO Width:

Water Protection Height:

Opening Width:

MULTI-SECTIONAL: (over 120")

Opening Width:

- Dry-Side Support
 Wet-Side Support

JAMB MOUNTING SURFACE:

- CMU
 CIP
 (Wall Thickness)

HOT DIPPED GALVANIZED:

- EMBEDDED NO SILL REQUESTED
 SURFACE MOUNTED PLATE

WATER FORCE:

- Positive Pressure Reverse Pressure

JAMB FINISH:

- ALUMINUM MILL FINISH (STD)
 POWDER COAT (See Colors Below)
 Gray White
 Bronze Gloss Black
 Silver

FACE MOUNT: (See Diagram to Left)

- Type A
 Type B

LARGE OPENINGS:

For openings larger than 120" the number of spans/supports must be engineered by PS Industries Incorporated.

NOTES: Lockable Jamb Cover Included

CUSTOM DRAWINGS FOR APPROVAL

If "NO" Approval Drawings are requested, the Name of the person "Declining" approval drawings must be shown below.

- Yes
 No

Name: Date:

Product specifications, options, and availability subject to change with out notice.

© PS INDUSTRIES 2018