

# FP-530 MEASURING GUIDE & ORDER FORM



1150 S. 48<sup>TH</sup> STREET, GRAND FORKS, ND 58201  
**Phone:** 701.746.4519 | **Toll Free:** 877.446.1519  
**Website:** psfloodbarriers.com  
**Email:** 4psinfo@psindustries.com

**SOLD/QUOTE TO:**

NAME: \_\_\_\_\_

COMPANY: \_\_\_\_\_

ADDRESS: \_\_\_\_\_

CITY, STATE, ZIP: \_\_\_\_\_

PHONE: \_\_\_\_\_ FAX: \_\_\_\_\_

EMAIL: \_\_\_\_\_

**PROJECT INFO:**

PROJECT NAME: \_\_\_\_\_

OPENING NAME: \_\_\_\_\_ QUANTITY: \_\_\_\_\_

ROUGH OPENING WIDTH: \_\_\_\_\_ (inches) WATER PROTECTION HEIGHT: \_\_\_\_\_ (inches)

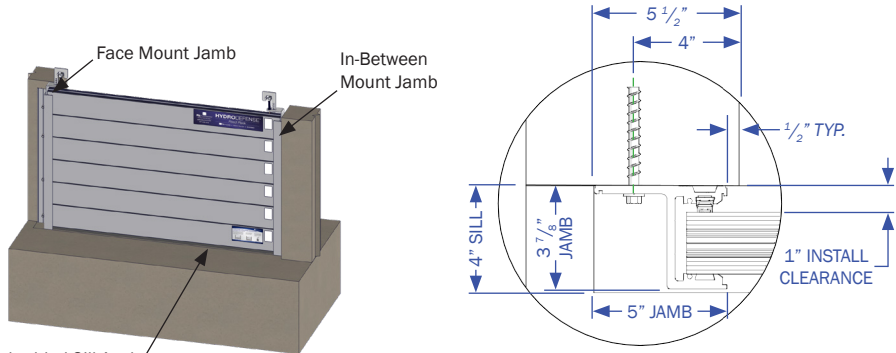
(LARGE OPENINGS: For openings larger than 120" the number of spans/supports must be engineered by PS Industries Incorporated. Construction Drawings are required for custom designed openings.)

MOUNTING SURFACE:	LEFT JAMB TYPE:	RIGHT JAMB TYPE:
CIP	FACE MOUNT	FACE MOUNT
CMU <small>(WALL THICKNESS IN INCHES)</small> <small>(GROUT-FILLED)</small>	IN-BETWEEN MOUNT	IN-BETWEEN MOUNT
STRUCTURAL STEEL		

MULLION TYPE: (OVER 120")	MULLION EMBED TYPE:	JAMB FINISH:
DRY-SIDE SUPPORT	EMBEDDED RECEIVER <small>(STANDARD)</small>	ALUMINUM MILL FINISH <small>(STANDARD)</small>
WET-SIDE SUPPORT	POST-INSTALLED THREADED INSERTS	POWDER COAT <small>(COLOR)</small>

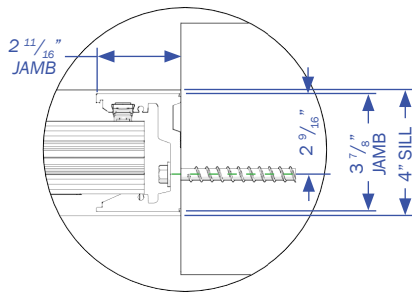
SILL TYPE:	SILL MATERIAL:	MISC HARDWARE:
EMBEDDED ANGLE <small>(STANDARD)</small>	HOT-DIPPED GALV.	LOCKABLE JAMB COVERS
SURFACE MOUNTED PLATE	304 STAINLESS STEEL	JAMB EXTENSIONS
NO SILL		

STAMPED CALCULATIONS REQUESTED:			FM LABEL REQUESTED:	
YES	STATE	NO	YES	NO
<small>(Registered professional engineer stamped calculations from within the state or territory the building will be constructed or substantially improved.)</small>			<small>(Available on Specific Product Configuration, Consult PS Industries for Details; Maximum WPH of 36".)</small>	

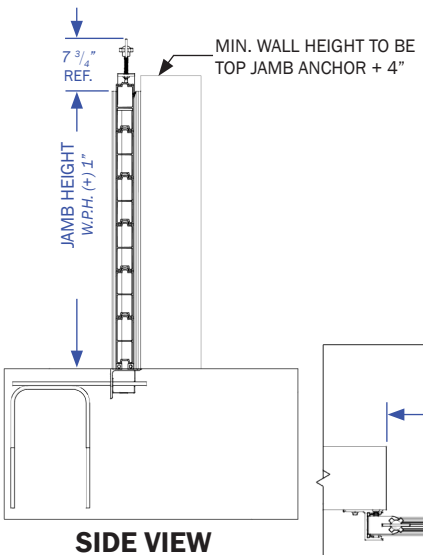


**FACE-MOUNT JAMB**

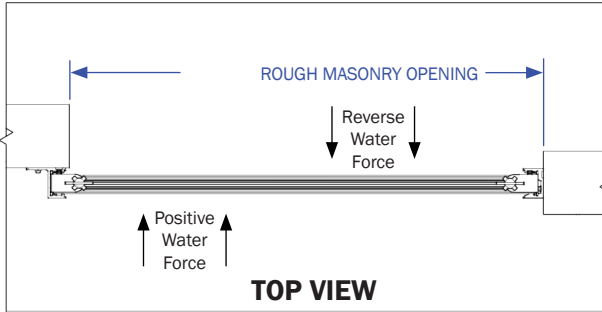
Embedded Sill Angle  
\* Recommended



**IN-BETWEEN JAMB**



**SIDE VIEW**



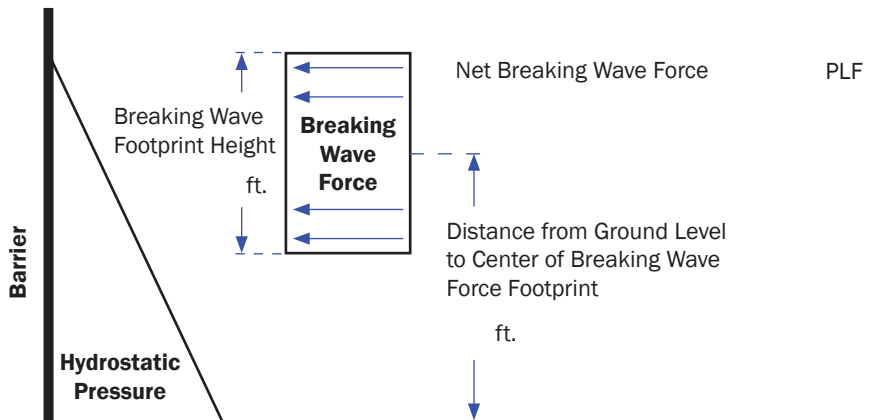
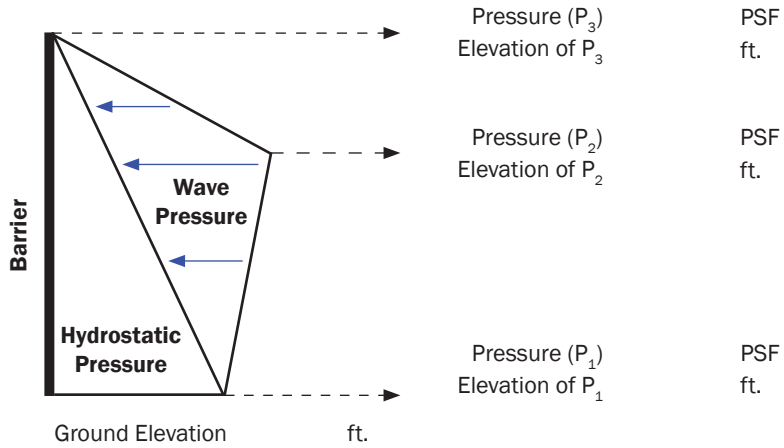
**TOP VIEW**

# LOADING FORM



1150 S. 48<sup>TH</sup> STREET, GRAND FORKS, ND 58201  
**Phone:** 701.746.4519 | **Toll Free:** 877.446.1519  
**Website:** psfloodbarriers.com  
**Email:** 4psinfo@psindustries.com

## WAVE LOAD DIAGRAMS



\*ASCE 7-10/16, Section 5.4.4.2 & Figure 5.4-1

### LOAD INFO:

FLOOD LOAD REGULATION:

ADDITIONAL LOAD CODE(S):

**HYDROSTATIC LOAD:** YES

PRESSURE:

WATER PROTECTION HEIGHT (WPH): (inches) UNIT WEIGHT OF FLUID: (PSF)

IS FLUID HEIGHT PRORATED TO INCLUDE OTHER LOADING?:

EXPLAIN:

**HYDRODYNAMIC LOADS:** YES NO

HYDRODYNAMIC PRESSURE: (PSF)

DRAG COEFFICIENT: VELOCITY OF WATER: (ft/s)

**IMPACT LOADS:** YES NO

IMPACT FORCE: (lbs) IMPACT FOOTPRINT WIDTH: (inches)

ELEVATION OF IMPACT: (ft) IMPACT FOOTPRINT HEIGHT: (inches)

DEBRIS WEIGHT: (lbs) VELOCITY OF OBJECT: (ft/s)

ACCELERATION DUE TO GRAVITY: (ft/s) IMPACT DURATION: (ft/s)

IMPORTANCE COEFFICIENT: ORIENTATION COEFFICIENT:

DEPTH COEFFICIENT: BLOCKAGE COEFFICIENT:

MAX RESPONSE RATIO FOR IMPULSIVE LOAD:

**WIND LOADS:** YES NO

WIND LOAD REGULATIONS:

WIND PRESSURE: (PSF) WIND SPEED: (mph)

**FAN PRESSURE:** YES NO

FAN PRESSURE: (PSF)

**WAVE LOADS:** YES NO

BASE FLOOD ELEVATION: (ft) GROUND ELEVATION: (ft)

DYNAMIC PRESSURE COEFFICIENT: ANGLE OF OBLIQUE WAVE: (°)

NET BREAKING WAVE FORCE: (PLF) LOCAL STILL WATER DEPTH: (ft)

MAXIMUM COMBINED STATIC AND DYNAMIC PRESSURES: (PSF)

**NOTICE** Provide all information above that applies, unless clearly called out in supplemental drawings.