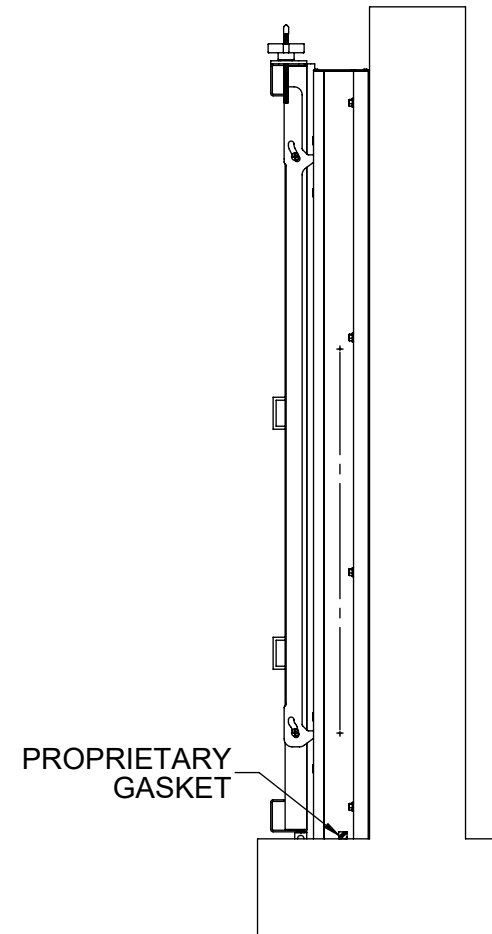
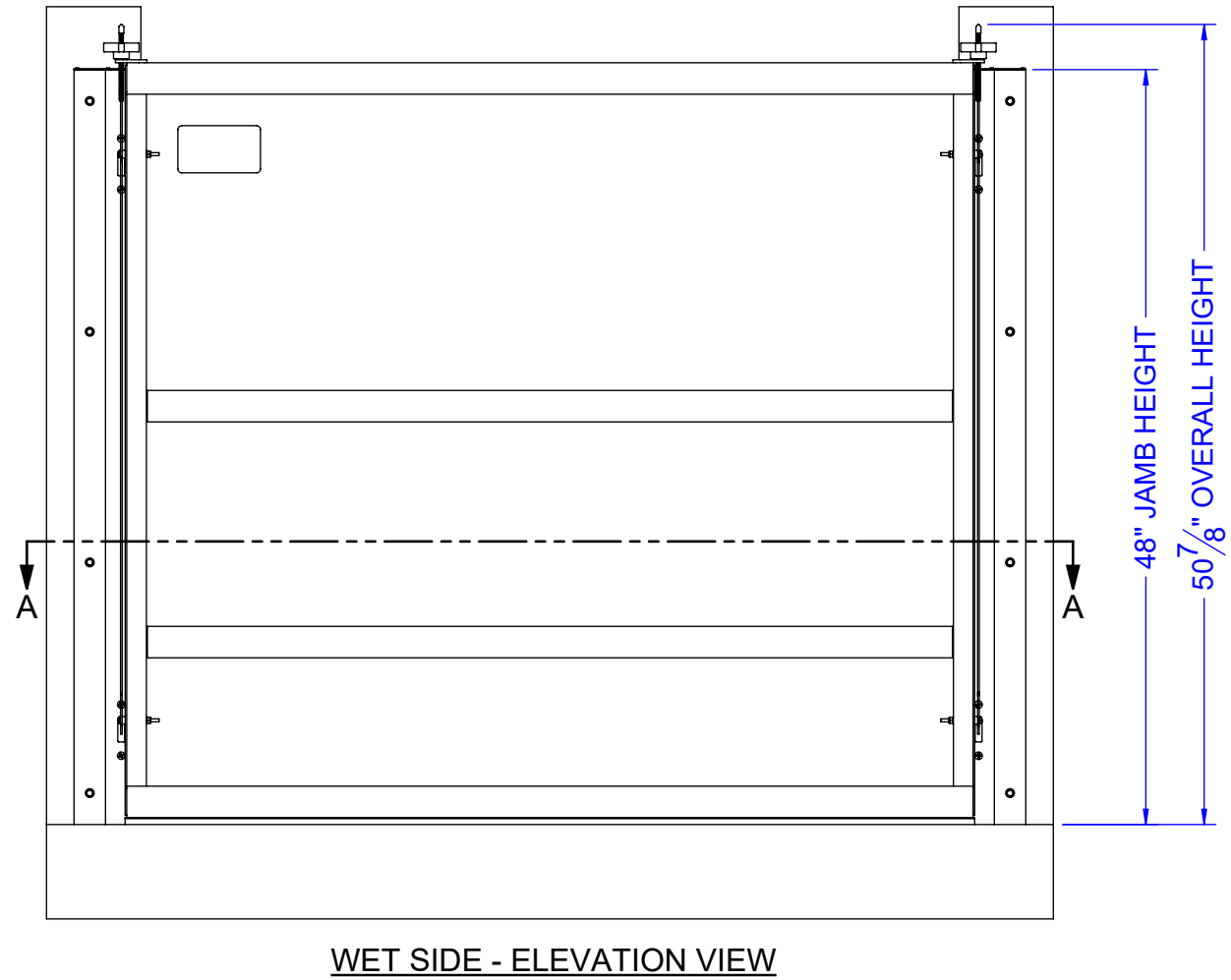
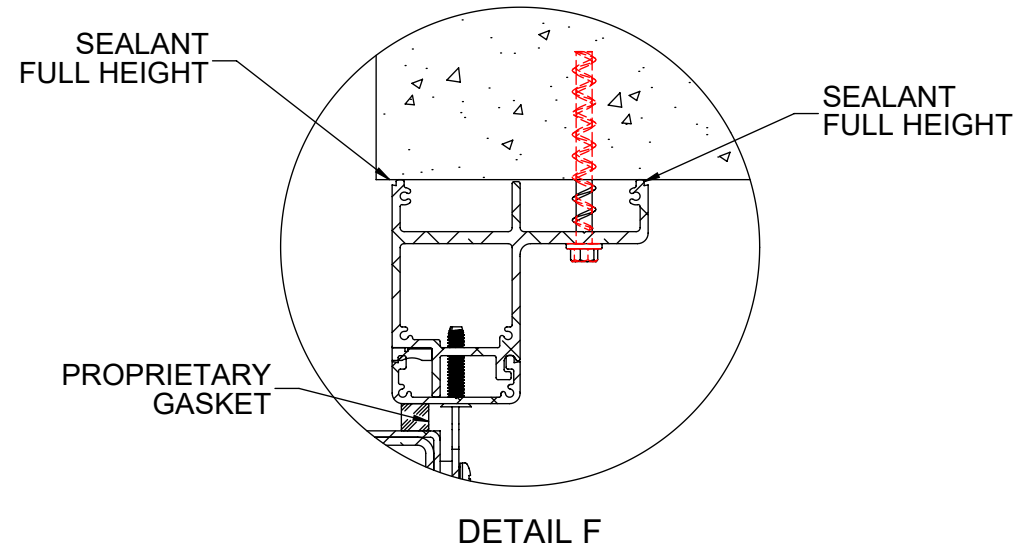
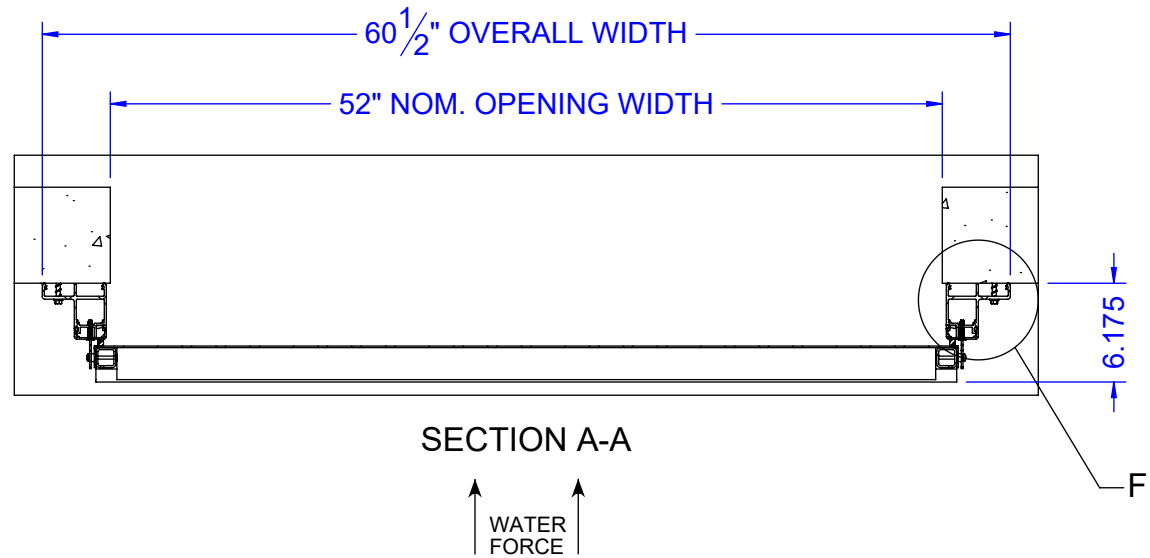


MODEL: EZDAM-600 52" X 48"



C:\PS DOORS\DESIGN INFORMATION\REFERENCE DOCUMENTS\DESIGN\BLUE MODEL\SIZEZD600 - EZDam 600\EZD-600 52X48\GEN-EZD-600-5248-SAMPLE - 10/4/2021

|      |           |      |            |                        |                    |   |                           |  |        |
|------|-----------|------|------------|------------------------|--------------------|---|---------------------------|--|--------|
| REV. | REVISIONS | DATE | REVISED BY | FINISH:<br>MILL FINISH | DOOR/OPENING NAME: | SN: <b>EZD-600-5248</b> SO #:   | QTY: 0                    | <p>1150 48th St. S<br/>GRAND FORKS, ND 58201<br/>PH. 701-746-4519<br/>FAX 701-746-8340</p> |        |
|      |           |      |            |                        | SHIP TO:           | DWG STATUS:<br><b>FOR REFERENCE ONLY</b>  | DATE: 10/4/2021           |  |        |
|      |           |      |            |                        | SOLD TO:           | ESTIMATED PART/ASSY WEIGHT: 99.28 LBS.  | SCALE: NTS                |  |        |
|      |           |      |            |                        | PROJECT NAME:      | PROPRIETARY AND CONFIDENTIAL DRAWINGS<br>ARE EXCLUSIVE PROPERTY OF PS<br>INDUSTRIES INCORPORATED AND CANNOT BE<br>USED IN WHOLE OR PART WITHOUT WRITTEN<br>CONSENT © 2021 PS INDUSTRIES<br>INCORPORATED ALL RIGHTS RESERVED | DWG BY: <i>clitzinger</i> |  |        |
|      |           |      |            |                        | CUST PO #:         | DWG #: GEN-EZD-600-5248-SAMPLE  | CHECKED: /                |  |        |
|      |           |      |            |                        |                    |   | SHEET #: 1 OF 1           |  | REV: E |