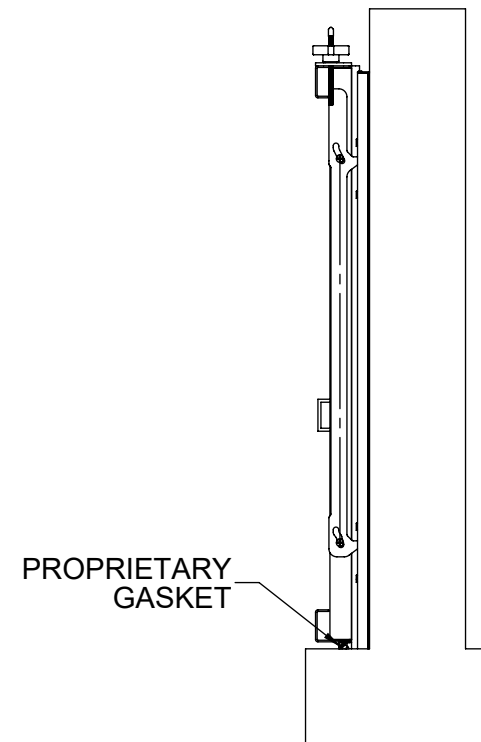
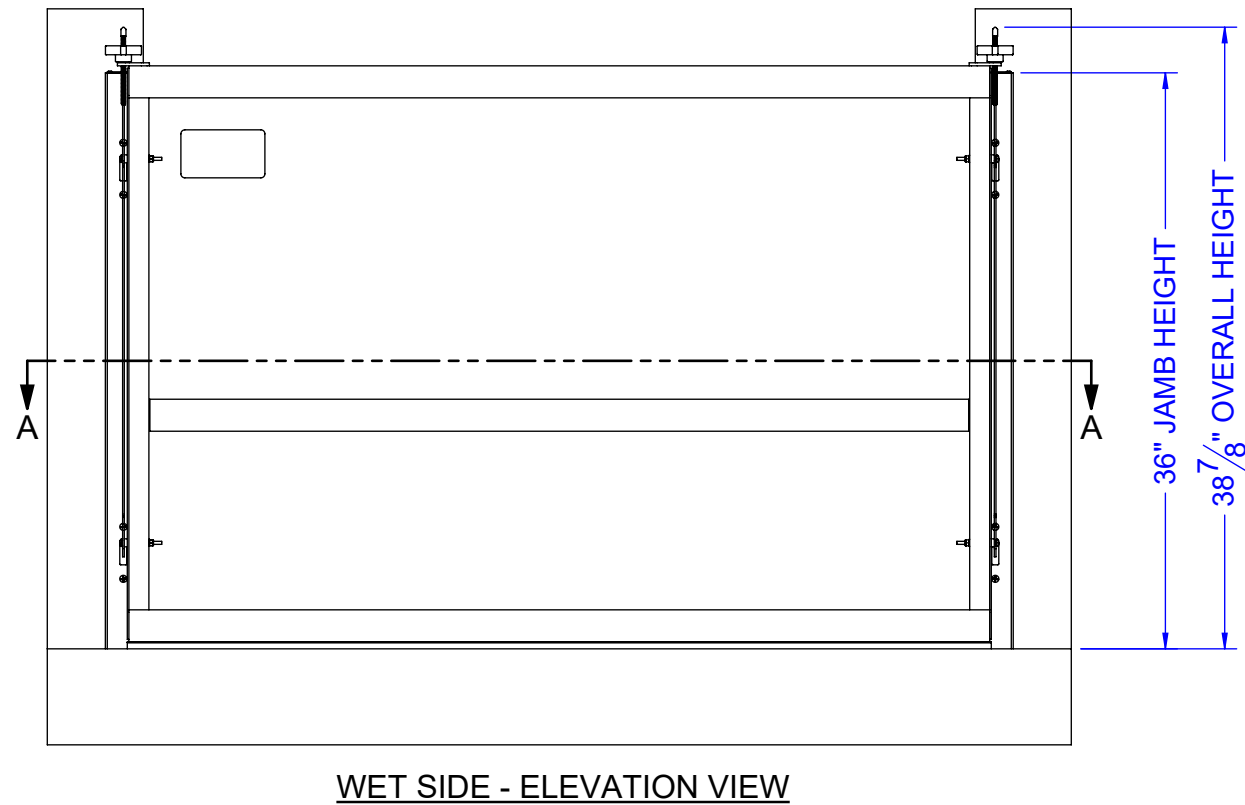
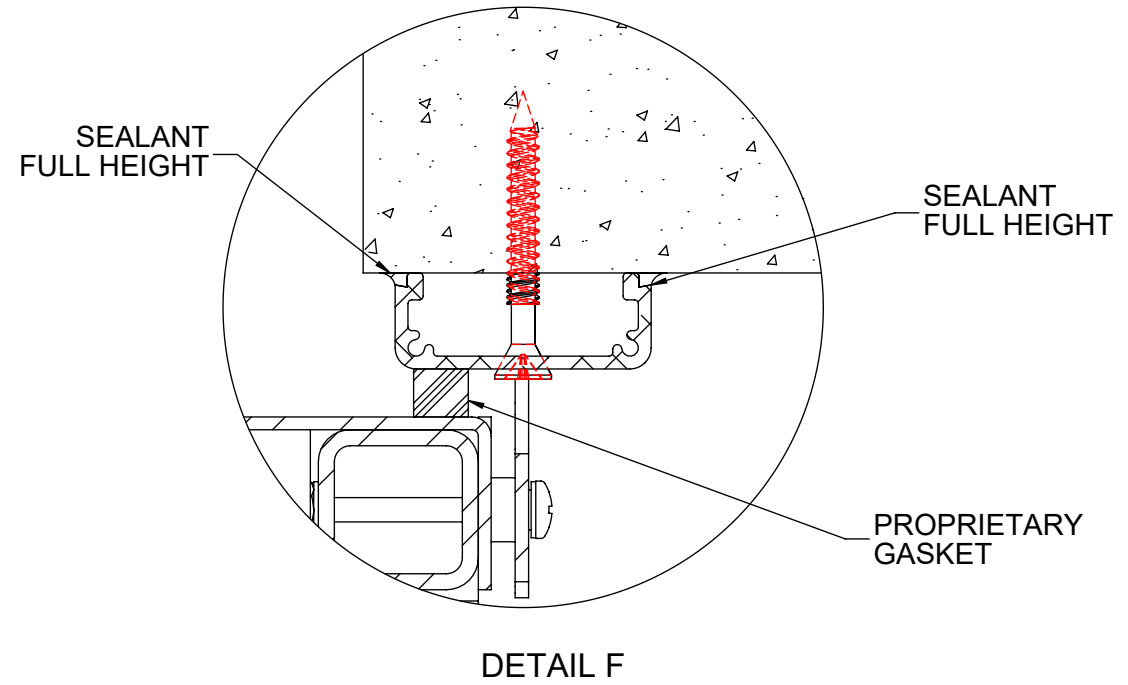
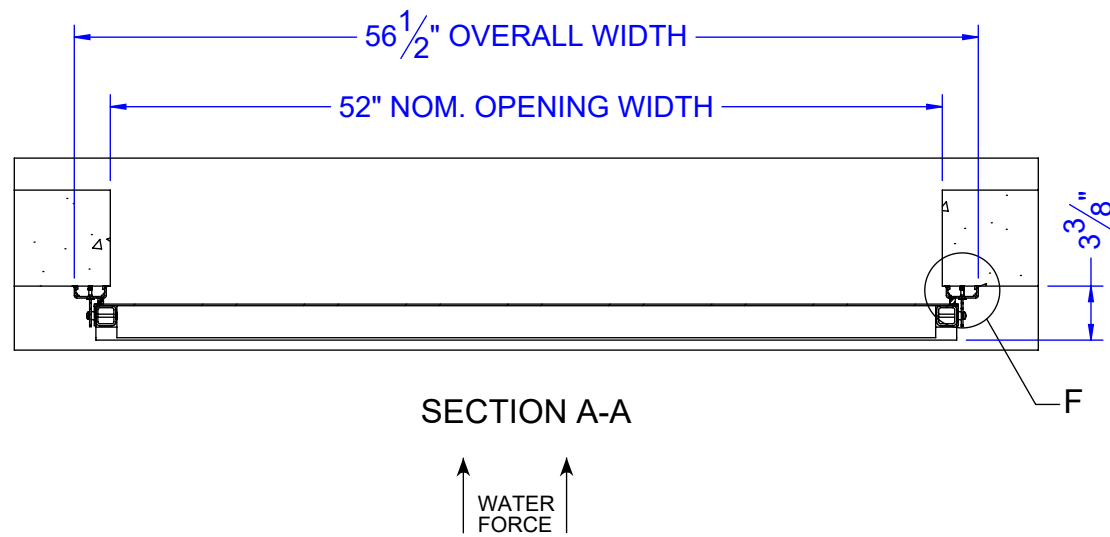



MODEL: EZDAM-600 52" X 36"



C:\PS DOORS\DESIGN INFORMATION\REFERENCE DOCUMENTS\DESIGN\BLUE MODEL\SIEZD600 - EZDam 600\52X36\GEN-EZD-600-52-SAMPLE - 10/4/2021

REV.	REVISIONS	DATE	REVISED BY	FINISH: MILL FINISH	DOOR/OPENING NAME:	SN: EZD-600-52	SO #:	QTY: 0	 1150 48th St. S GRAND FORKS, ND 58201 PH. 701-746-4519 FAX 701-746-8340	
					SHIP TO:	DWG STATUS: FOR REFERENCE ONLY	PROPRIETARY AND CONFIDENTIAL DRAWINGS ARE EXCLUSIVE PROPERTY OF PS INDUSTRIES INCORPORATED AND CANNOT BE USED IN WHOLE OR PART WITHOUT WRITTEN CONSENT © 2021 PS INDUSTRIES INCORPORATED ALL RIGHTS RESERVED	DATE: 10/4/2021		
					SOLD TO:	ESTIMATED PART/ASSY WEIGHT: 43.75 LBS.		SCALE: NTS		
					PROJECT NAME:	DWG #: GEN-EZD-600-52-SAMPLE		DWG BY: clitzinger		
					CUST PO #:			CHECKED: /		
									SHEET # 1 OF 1	REV: E