

NOTES

1 STORAGE-HANDLING

DO NOT STORE FLOOD BARRIERS IN A MANNER THAT WILL COMPRESS GASKETS, OR THAT WILL CAUSE DAMAGE TO GASKETS.

2 INSTALLATION

REFER TO ALL MANUFACTURERS' INSTALLATION NOTES AND DRAWINGS. INSTALL PLUMB, SQUARE, AND LEVEL, INSURING CONTINUOUS AND EVEN GASKET CONTACT. DO NOT DRILL OR PENETRATE ANY SURFACES OF SHIELDS WITHOUT CONSULTING MANUFACTURER. USE ONLY FASTENERS AND SEALANT PROVIDED BY THE MANUFACTURER.

3 MAINTENANCE-INSPECTION

PERIODIC INSPECTION AND MAINTENANCE OF FLOOD BARRIER INSTALLATIONS, INCLUDING SEALANTS, GASKETS, ANCHORS, AND OPERATING HARDWARE, IS THE RESPONSIBILITY OF THE OWNER.

4 STRUCTURAL REVIEW

STRUCTURAL REVIEW OF ADJACENT STRUCTURE'S CAPACITY TO WITHSTAND ALL FLOOD BARRIER SERVICE LOADS TRANSFERRED TO STRUCTURE IS BY OTHERS (NOT PS DOORS).

5 PERFORMANCE

FLOOD BARRIERS ARE DESIGNED TO CONTROL SHORT TERM HYDROSTATIC WATER LOADS (64 PCF) UP TO THE DESIGNED WATER HEIGHT NOTED ON THE DRAWINGS. NO ALLOWANCES HAVE BEEN INCLUDED TO CONTROL WAVE SURGE LOADS OR OTHER IMPACT LOADS UNLESS SPECIFICALLY DETAILED ON THE DRAWINGS. ALL LOADS ARE TRANSFERRED TO THE BUILDING STRUCTURE. ALWAYS ALLOW FOR CONTROL OF ANY LEAKAGE AND CONDENSATION THAT WILL OCCUR DURING HIGH WATER SITUATIONS. IN APPLICATIONS WHERE THE FLOOD BARRIER GASKETS CONTACT THE EXISTING BUILDING STRUCTURE, FLOORS, ETC. ALL SURFACES MUST BE SOUND, FLAT/LEVEL AND WITHOUT BLEMISH FOR BEST PERFORMANCE.

FIELD VERIFICATION IS REQUIRED BY OTHERS (NOT PS DOORS)

- 1 ALL DIMENSIONS AND INTERFERENCES.
- 2 JAMB CONDITIONS AND STRUCTURAL CAPACITY OF STRUCTURE.
- 3 ANCHOR LOCATIONS AND MINIMUM REQ'D EDGE/END DISTANCES, SPACING, EMBEDMENT DEPTHS, AND INSTALLTION PROCEDURE SPECIFIED IN THE ANCHOR MANUFACTURER'S TECHNICAL INFORMATION MANUAL.

DESIGN CRITERIA

DESIGN LOADS

(ALL LOADS TRANSFERRED TO STRUCTURE)
- HYDROSTATIC LOADS TO ELEV. AS INDICATED ON DRAWINGS, BASED ON HYDROSTATIC WATER LOAD (64 PCF).

MATERIALS

ALUMINUM: 5052-H32, 6005A-T5, 6061-T6, 6063-T6

STAINLESS STEEL: TYPE 304

FASTENERS: ZINC PLATED

GASKETS: EPDM

FINISHES

ALUMINUM: RAW, MILL FINISH

STAINLESS STEEL: RAW, MILL FINISH

WELDS

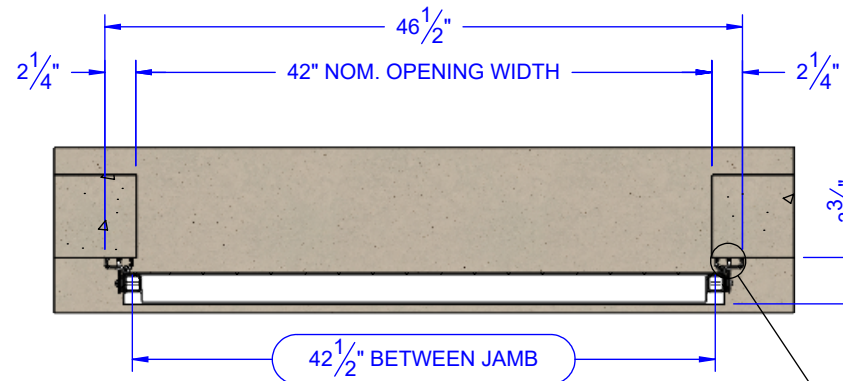
EXPOSED, INTERFERING WELDS ARE GROUND, NOT FILLED OR POLISHED

FACTORY WELDS:

ALUMINUM; ELECTRODE ER4043

STAINLESS STEEL; ER308LSi

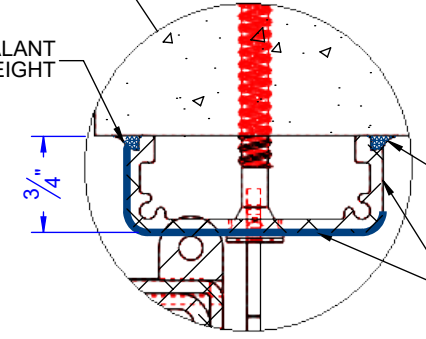
B.O.M. IS FOR QTY - 1				
ITEM NO.	PART NO.	DESCRIPTION	Qty	U/M
1	513937	EZD;JAMB ASSEMBLY KIT	1	EA
2	511276	EZD;PANEL ASSEMBLY 44"	1	EA
3	511410	EZ DAM, TRAY	1	EA
4	513590	EZ DAM, COVER	1	EA
5	509809	SEALANT; POLYURETHANE, GRAY	1	EA
6	513258	EZDAM;DECAL	1	EA
7	513259	EZD;INSTALLATION/O & M MANUAL	1	EA



SECTION A-A

↑
WATER FORCE

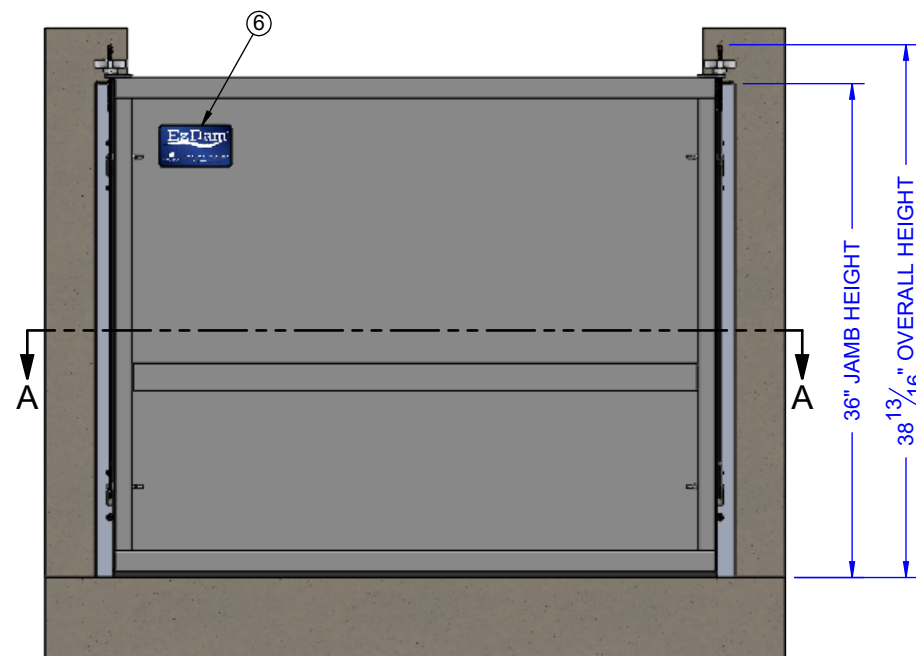
URETHANE SEALANT FULL HEIGHT



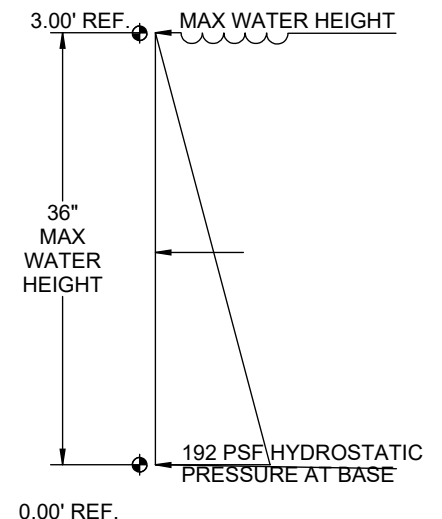
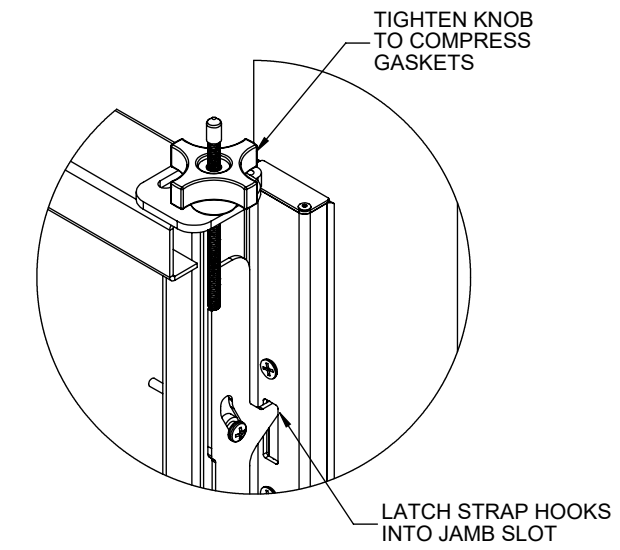
DETAIL C

URETHANE SEALANT FULL HEIGHT

AFTER JAMB IS INSTALLED AND ATTACHED TO WALL, PLACE BEAD OF CAULK AROUND BOTTOM OF JAMB (DARK BLUE LINE) AND SMOOTH TO RADIUS WITH SUPPLIED SMOOTHING TOOL. **[IMPORTANT! LEAVE OUTSIDE EDGE OPEN FOR DRAINAGE.]** REMOVE/CLEAN EXCESS THAT MAY INTERFERE WITH GASKET. SEE O&M FOR INSTALLION INSTRUCTIONS.



WET SIDE - ELEVATION VIEW



PRESSURE CHART - HYDROSTATIC LOADS ONLY (WATER @ 64 PCF)

C:\PS DOORS\PROJECTS\BLUE PRODUCTS\EZD-600-42 (STOCK)\GEN-EZD-600-42; 6/26/2018

REV.	REVISIONS	DATE	REVISED BY	FINISH: MILL FINISH	DOOR/OPENING NAME:	SN:	SALES ORDER #:	QTY:	<p>1150 48th St. S GRAND FORKS, ND 58201 PH. 701-746-4519 FAX 701-746-8340</p>
					SHIP TO:	DWG STATUS: APPROVED FOR CONSTRUCTION	PROPRIETARY AND CONFIDENTIAL DRAWINGS ARE EXCLUSIVE PROPERTY OF PRODUCTION SPECIALTIES CORPORATION, dba PS DOORS AND CANNOT BE USED IN WHOLE OR PART WITHOUT WRITTEN CONSENT © 2018 PS DOORS ALL RIGHTS RESERVED	DATE: 6/26/2018	
					SOLD TO:	ESTIMATED PART/ASSY WEIGHT: 38.19 LBS.		SCALE: NTS	
					PROJECT NAME:	DWG #: GEN-EZD-600-42		DWG BY: ceast	
					CUST PO #:			CHECKED: /	
								SHEET #1 OF 1	E