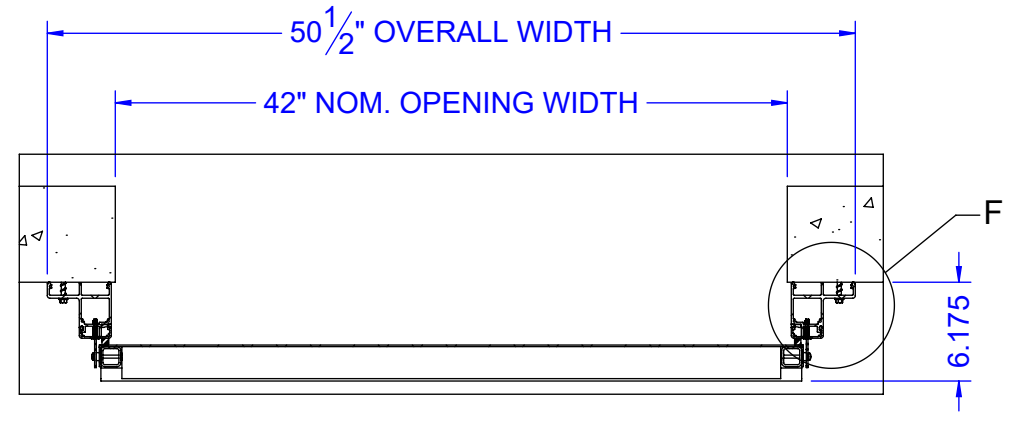
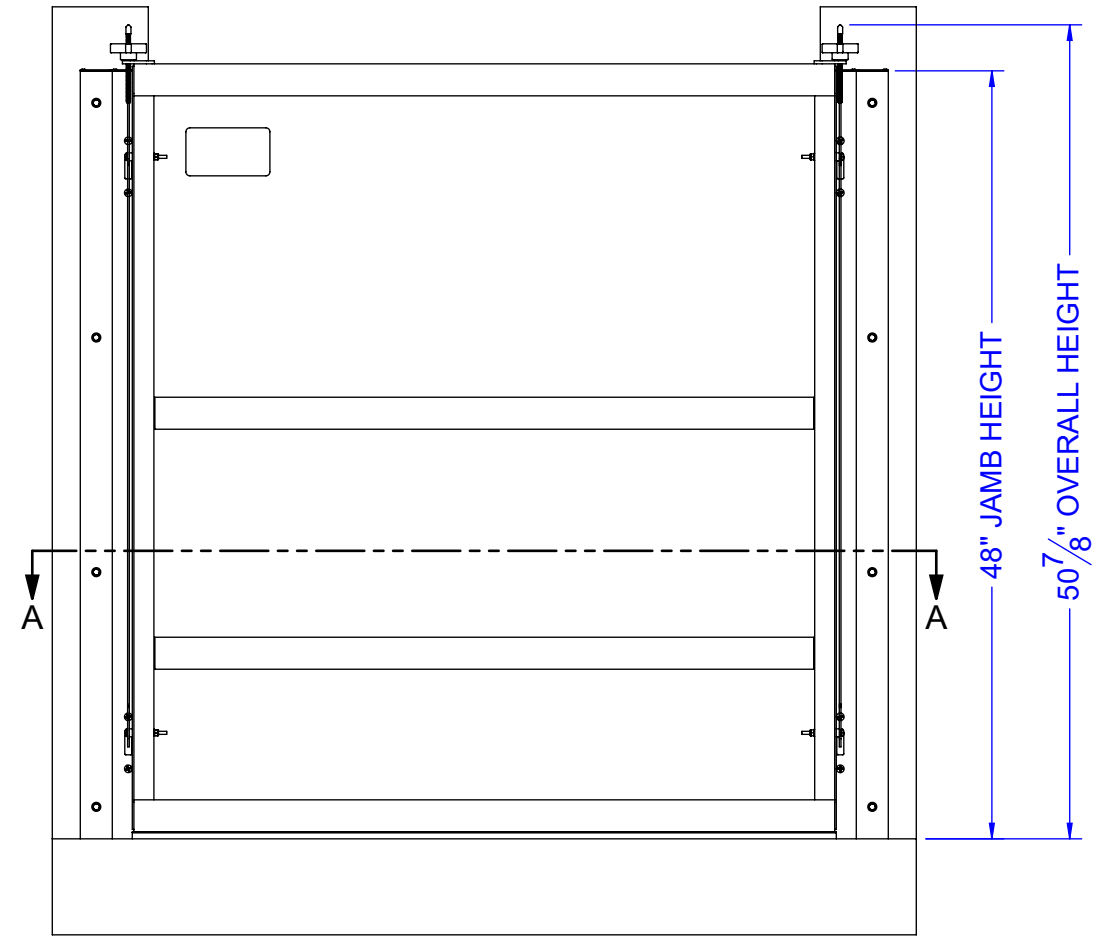


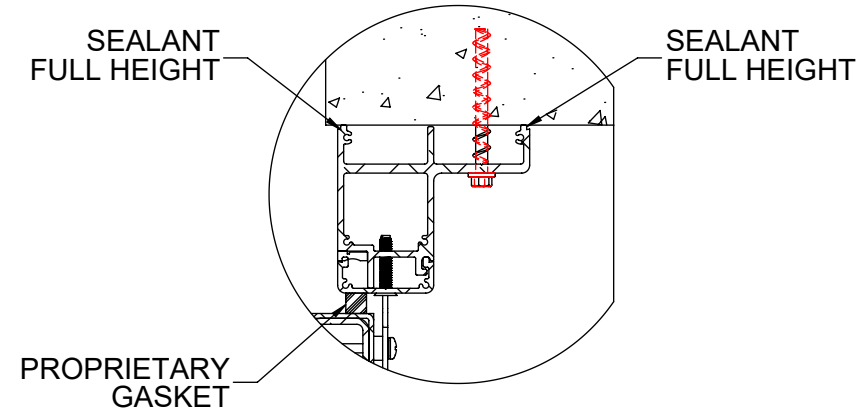
MODEL: EZDAM-600 42" X 48"



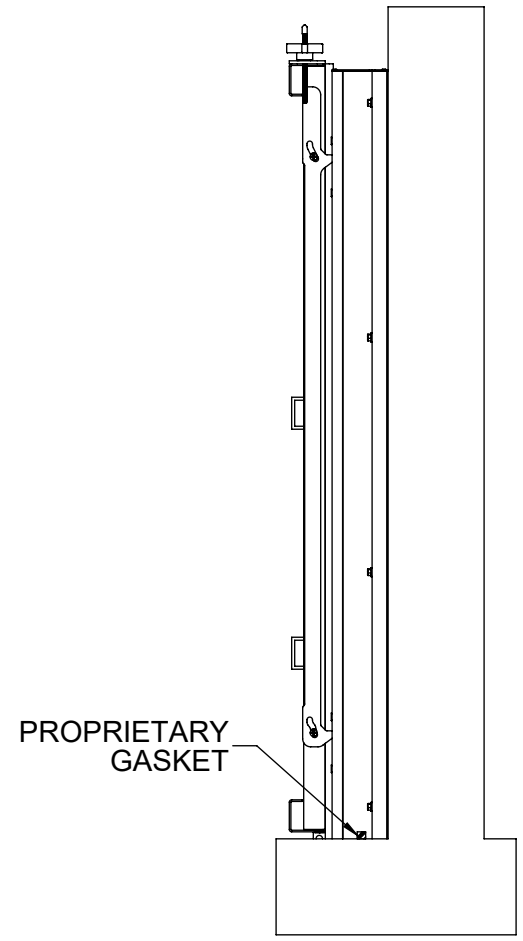
SECTION A-A



WET SIDE - ELEVATION VIEW



DETAIL F



C:\PS DOORS\DESIGN INFORMATION\REFERENCE DOCUMENTS\DESIGN\BLUE MODEL\SIZE\600 - EZDam 600\EZD-600 42X48\GEN-EZD-600-4248-SAMPLE - 10/1/2021

REV.	REVISIONS	DATE	REVISED BY	FINISH: MILL FINISH	DOOR/OPENING NAME:	SN: EZD-600-4248 SO #:	QTY: 0
					SHIP TO:	DWG STATUS: FOR REFERENCE ONLY	DATE: 10/4/2021
					SOLD TO:	ESTIMATED PART/ASSY WEIGHT: 91.00 LBS.	SCALE: NTS
					PROJECT NAME:	PROPRIETARY AND CONFIDENTIAL DRAWINGS ARE EXCLUSIVE PROPERTY OF PS INDUSTRIES INCORPORATED AND CANNOT BE USED IN WHOLE OR PART WITHOUT WRITTEN CONSENT © 2021 PS INDUSTRIES INCORPORATED ALL RIGHTS RESERVED	DWG BY: clitzinger
					CUST PO #:	DWG #: GEN-EZD-600-4248-SAMPLE	CHECKED: /

PS INDUSTRIES
INCORPORATED

1150 48th St. S
GRAND FORKS, ND 58201
PH. 701-746-4519
FAX 701-746-8340

SHEET # 1 OF 1 REV: E