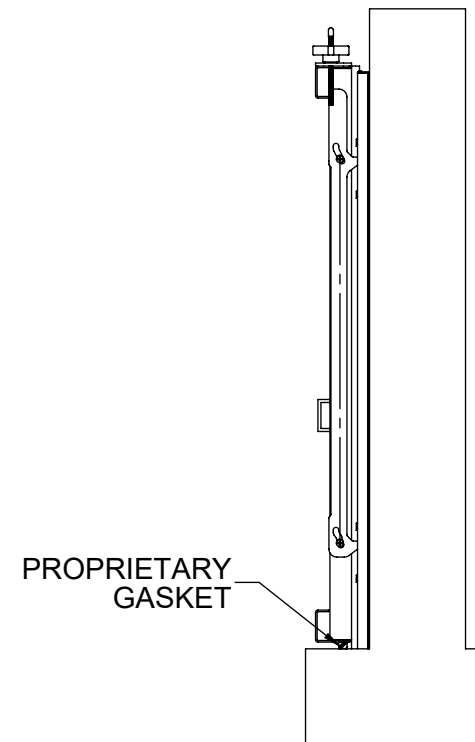
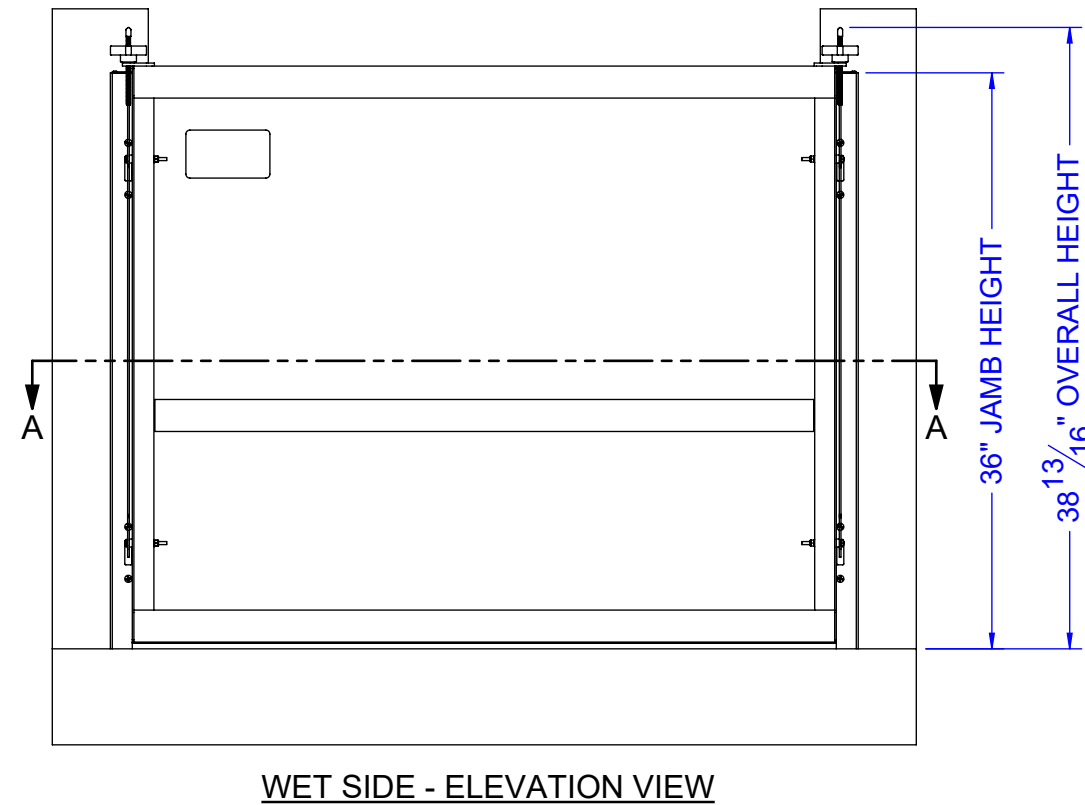
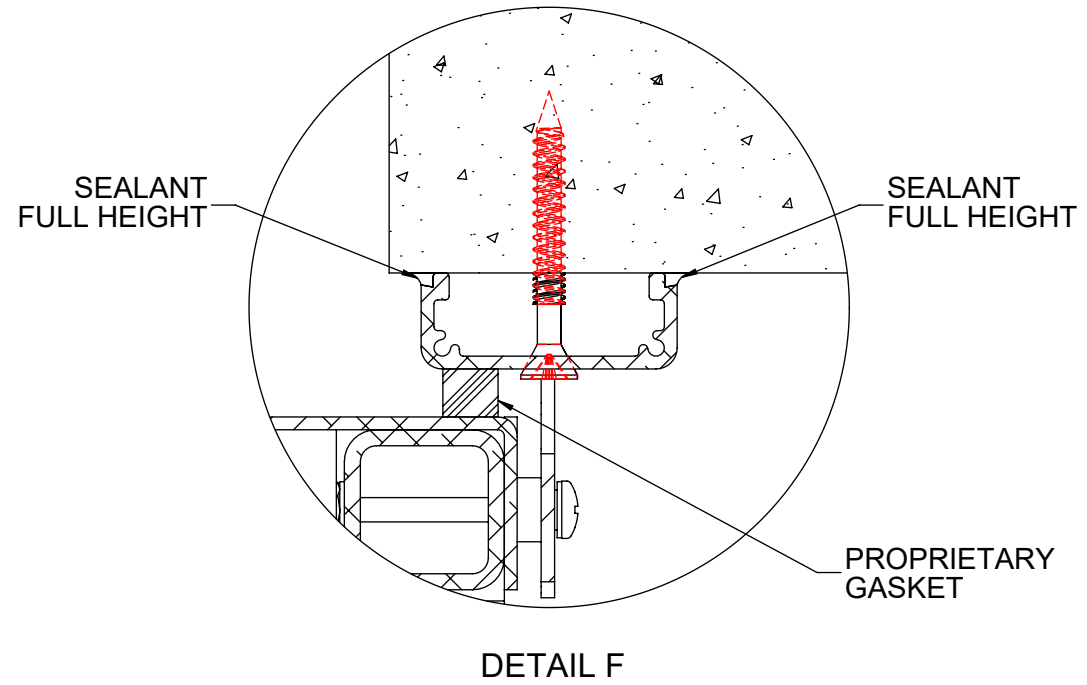
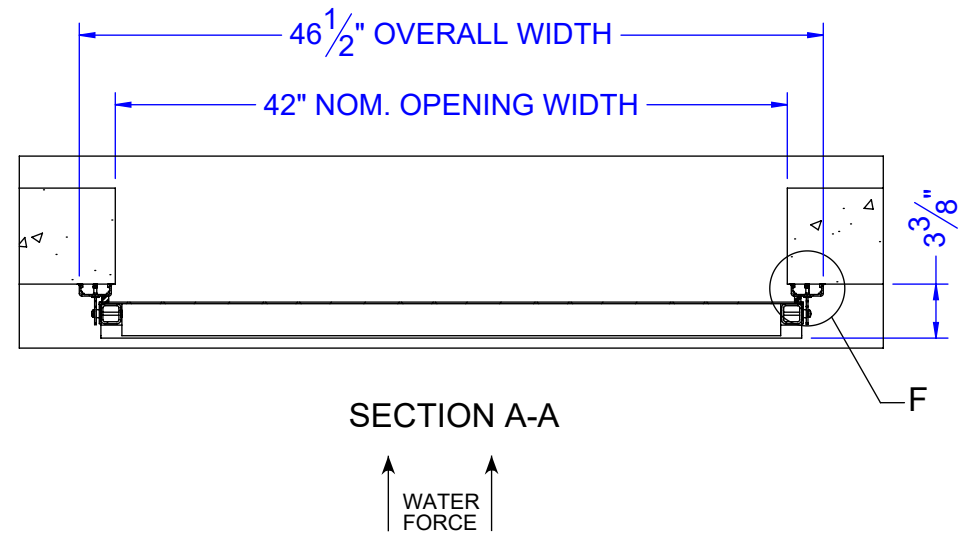


MODEL: EZDAM-600 42" X 36"



C:\PS DOORS\DESIGN INFORMATION\REFERENCE DOCUMENTS\DESIGN\BLUE MODEL\SIZEZD600 - EZDam 600\EZD-600 42X36\GEN-EZD-600-42-SAMPLE - 10/4/2021

REV.	REVISIONS	DATE	REVISED BY	FINISH: MILL FINISH	DOOR/OPENING NAME:	SN: EZD-600-42	SO #:	QTY: 0	 1150 48th St. S GRAND FORKS, ND 58201 PH. 701-746-4519 FAX 701-746-8340	
					SHIP TO:	DWG STATUS: FOR REFERENCE ONLY		DATE: 10/4/2021		
					SOLD TO:	ESTIMATED PART/ASSY WEIGHT: 38.58 LBS.		SCALE: NTS		
					PROJECT NAME:	PROPRIETARY AND CONFIDENTIAL DRAWINGS ARE EXCLUSIVE PROPERTY OF PS INDUSTRIES INCORPORATED AND CANNOT BE USED IN WHOLE OR PART WITHOUT WRITTEN CONSENT © 2021 PS INDUSTRIES INCORPORATED ALL RIGHTS RESERVED		DWG BY: clitzinger		
					CUST PO #:	DWG #: GEN-EZD-600-42-SAMPLE		CHECKED: /		
									SHEET #: 1 OF 1	REV: E