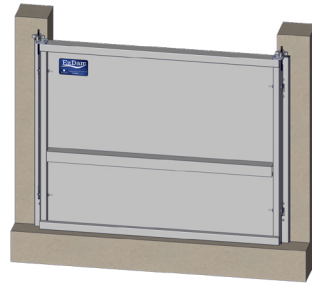


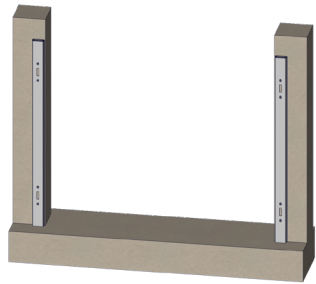
36" EZDAM MEASURING GUIDE & ORDER FORM



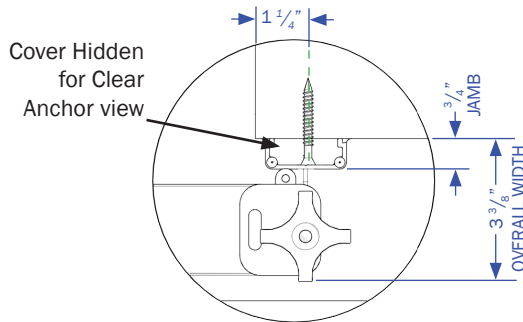
1150 S. 48TH STREET, GRAND FORKS, ND 58201
Phone: 701.746.4519 | **Toll Free:** 877.446.1519
Website: psfloodbarriers.com
Email: 4psinfo@psindustries.com



**DEFAULT VIEW
(36" WPH)**

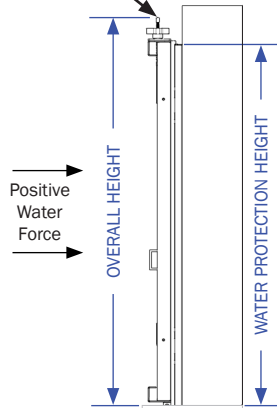


**JAMB VIEW
(36" WPH)**

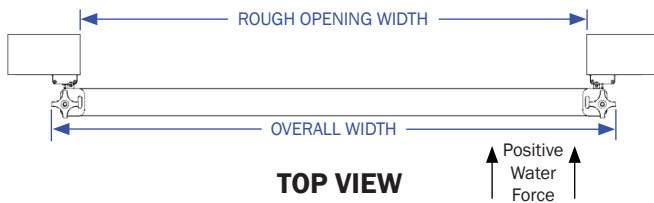


JAMB DETAIL

Spin Knob for Gasket Compression



SIDE VIEW



TOP VIEW

QUOTATION REQUESTED

EZDAM ORDER

SOLD/QUOTE TO:

NAME:
 COMPANY:
 ADDRESS:
 CITY, STATE, ZIP:
 PHONE: FAX:
 EMAIL:

SHIP TO:

NAME: DATE:
 ADDRESS: P.O.#:
 CITY, STATE, ZIP: TAG:
 PHONE: SHIP VIA:

MODEL/SIZE	MODEL/SIZE						QTY
	MODEL	OVERALL HEIGHT	OVERALL WIDTH	WATER PROTECTION HEIGHT	ROUGH OPENING WIDTH ¹	PANEL WEIGHT	
EZD-600-42	38 13/16"	46 1/2"	36"	42"	~33 lbs		
EZD-600-52	38 7/8"	56 1/2"	36"	52"	~38 lbs		
CUSTOM	38 13/16"		36"				

Notes: Requires 2 1/4" of room on either side of opening.

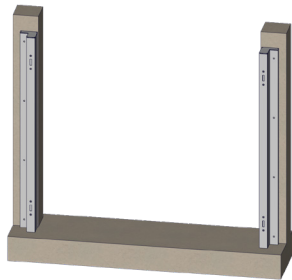
-Put quantity in white table cells.

PANEL/FRAME MATERIAL: <input type="checkbox"/> ALUMINUM MILL FINISH (STANDARD)	LATCHING LOCATION: <input type="checkbox"/> WET-SIDE	WATER FORCE: <input type="checkbox"/> POSITIVE PRESSURE
MOUNTING SURFACE: <input type="checkbox"/> CIP <input type="checkbox"/> CMU (GROUT-FILLED) <input type="checkbox"/> STRUCTURAL STEEL	SILL TYPE: <input type="checkbox"/> NO SILL (STANDARD) <input type="checkbox"/> EMBEDDED ANGLE (OPTIONAL) <input type="checkbox"/> SURFACE MOUNTED PLATE (OPTIONAL)	
STAMPED CALCULATIONS REQUESTED: <input type="checkbox"/> YES <input type="checkbox"/> STATE <input type="checkbox"/> NO <small>(Registered professional engineer stamped calculations from within the state or territory the building will be constructed or substantially improved.)</small>		

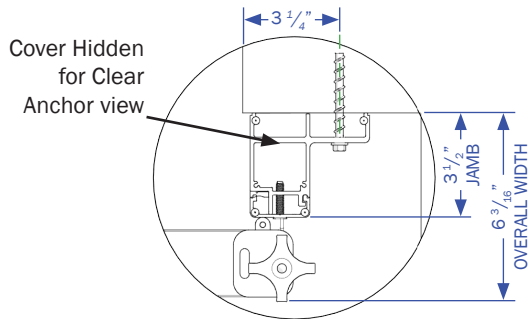
48" EZDAM MEASURING GUIDE & ORDER FORM



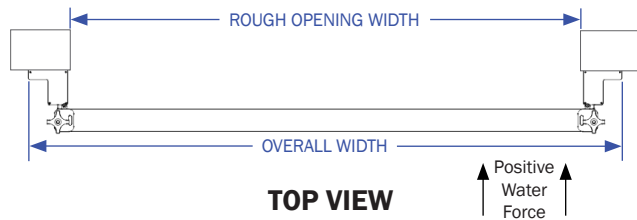
1150 S. 48TH STREET, GRAND FORKS, ND 58201
Phone: 701.746.4519 | **Toll Free:** 877.446.1519
Website: psfloodbarriers.com
Email: 4psinfo@psindustries.com



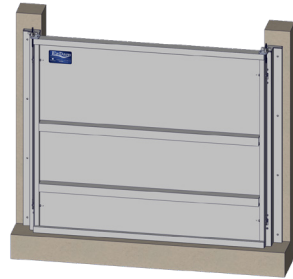
**JAMB VIEW
(48" WPH)**



JAMB DETAIL

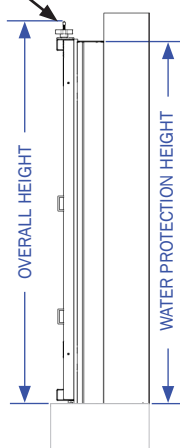


TOP VIEW



**DEFAULT VIEW
(48" WPH)**

Spin Knob for
Gasket Compression



SIDE VIEW

QUOTATION REQUESTED

EZDAM ORDER

SOLD/QUOTE TO:

NAME:

COMPANY:

ADDRESS:

CITY, STATE, ZIP:

PHONE:

FAX:

EMAIL:

SHIP TO:

NAME:

DATE:

ADDRESS:

P.O.#:

CITY, STATE, ZIP:

TAG:

PHONE:

SHIP VIA:

MODEL/SIZE	MODEL/SIZE						QTY
	MODEL	OVERALL HEIGHT	OVERALL WIDTH	WATER PROTECTION HEIGHT	ROUGH OPENING WIDTH ¹	PANEL WEIGHT	
EZD-600-4248	50 7/8"	50 1/2"	48"	42"	~45 lbs		
EZD-600-5248	50 7/8"	60 1/2"	48"	52"	~53 lbs		
CUSTOM	50 7/8"		48"				

Notes: Requires 2 1/4" of room on either side of opening.

-Put quantity in white table cells.

PANEL/FRAME MATERIAL:	LATCHING LOCATION:	WATER FORCE:
<input type="checkbox"/> ALUMINUM MILL FINISH <small>(STANDARD)</small>	<input type="checkbox"/> WET-SIDE	<input type="checkbox"/> POSITIVE PRESSURE
MOUNTING SURFACE:	SILL TYPE:	
<input type="checkbox"/> CIP	<input type="checkbox"/> NO SILL <small>(STANDARD)</small>	<input type="checkbox"/> EMBEDDED ANGLE <small>(OPTIONAL)</small>
<input type="checkbox"/> CMU <small>(GROUT-FILLED)</small>	<input type="checkbox"/> SURFACE MOUNTED	<input type="checkbox"/> PLATE <small>(OPTIONAL)</small>
<input type="checkbox"/> STRUCTURAL STEEL		
STAMPED CALCULATIONS REQUESTED:		
<input type="checkbox"/> YES	<input type="checkbox"/> STATE	<input type="checkbox"/> NO

(Registered professional engineer stamped calculations from within the state or territory the building will be constructed or substantially improved.)