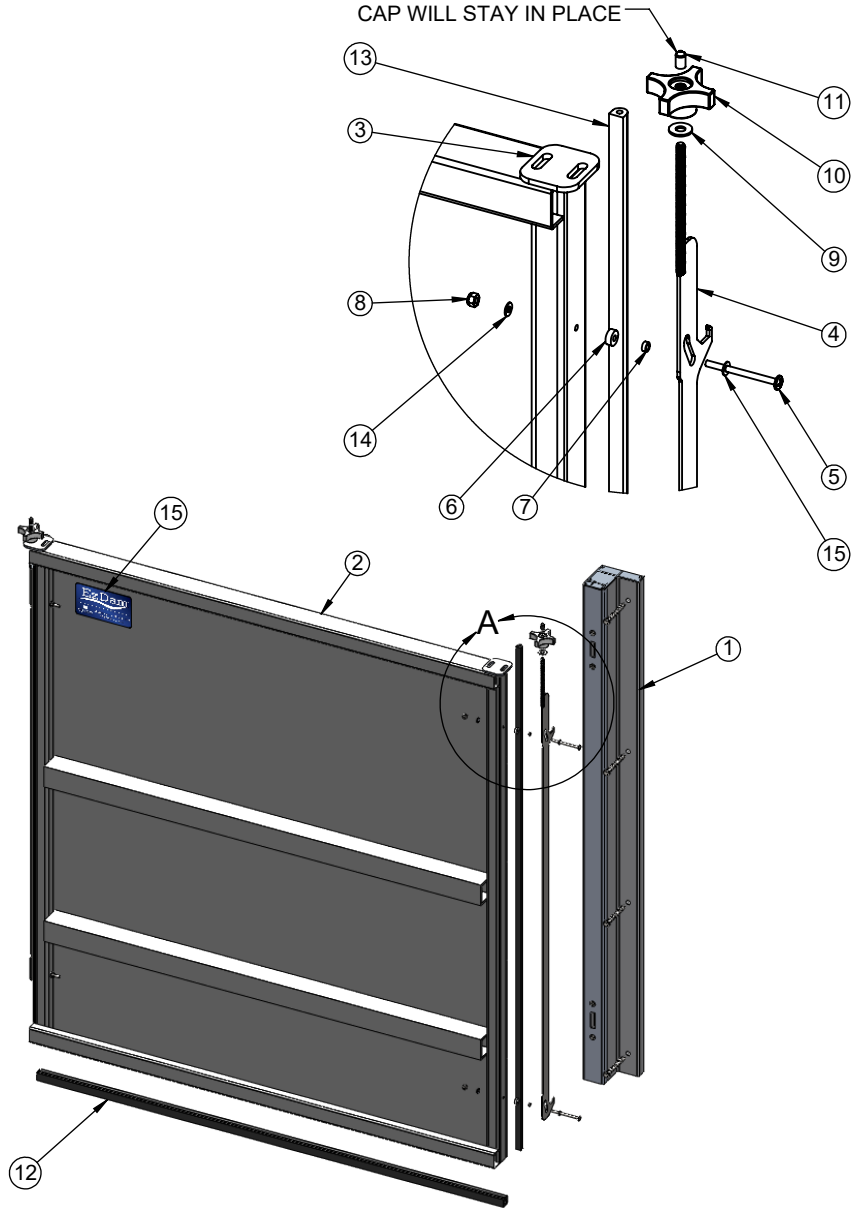


C:\PS DOORS\PROJECTS\BLUE PRODUCTS\EZD\EZD-600-4248 (STOCK)\EZD-600-4248_PARTS_ 6/21/2018

APPLY INSTANT ADHESIVE
509267 TO CAP, TO ENSURE
CAP WILL STAY IN PLACE



B.O.M. IS FOR QTY - 1

ITEM NO.	PART NO.	DESCRIPTION	Qty	U/M
1	513999	EZD;JAMB ASSEMBLY KIT 4'	1	EA
2	513112	EZD;4FT PANEL ASSEMBLY 44"	1	EA
3	511278	EZD;LATCH PLATE	2	EA
4	513115	EZD;4FT LATCH STRAP	2	EA
5	512795	SCREW;TRUSSPHMACH10-24X2-1/2SS	4	EA
6	511271	SPACER;.50D .192ID X .1875	4	EA
7	511272	SPACER;.3125OD .192ID X .125	4	EA
8	503900	NUT;NYLOCK #10-24 SS	4	EA
9	501939	WASHER;FLAT 1/4"ZN USS	2	EA
10	512301	KNOB;FOUR-ARM NYLON 1/4"-20	2	EA
11	511310	CAP;VINYL 1/4"-5/16" BLACK	2	EA
12	512642-513112	EZD SILL GASKET	1	EA
13	509377-513112	EZD JAMB GASKET	2	EA
14	512796	WASHER;NYLON, #10 SCREW	8	EA
15	513258	EZDAM;DECAL	1	EA
16	509809	SEALANT; POLYURETHANE, GRAY	1	EA

WO:	FINISH:
-----	---------

PROPRIETARY AND CONFIDENTIAL DRAWINGS ARE EXCLUSIVE PROPERTY OF PRODUCTION SPECIALTIES CORPORATION, dba PS DOORS AND CANNOT BE USED IN WHOLE OR PART WITHOUT WRITTEN CONSENT © 2018 PS DOORS ALL RIGHTS RESERVED		PRODUCT DESCRIPTION: EZD; EZ DAM 42"X48"		SN:		PART #: EZD-600-4248	
SHIP TO:		DWG STATUS: FABRICATION DRAWING		UNLESS OTHERWISE SPECIFIED LINEAR ± .0312" (1/32") CUTOUT ± .0156" (1/64") SQUARENESS ± .0625" (1/16") ANGULAR ± .5°		DATE: 6/21/2018 SCALE: NTS SHEET #: 1 OF 1	
SOLD TO:		ESTIMATED PART WEIGHT: 90.56 LBS.		CHECKED: /		REV: E	
FOLDING MACHINE PROGRAM #:		PROJECT NAME:		DWG #: EZD-600-4248_PARTS		1150 S 48th ST GRAND FORKS, ND 58201 PH. 701-746-4519 FAX 701-746-8340	
PRESS BRAKE PROGRAM #:		SALES ORDER #		DWG BY: ceast			
WATERJET PROGRAM #:							

